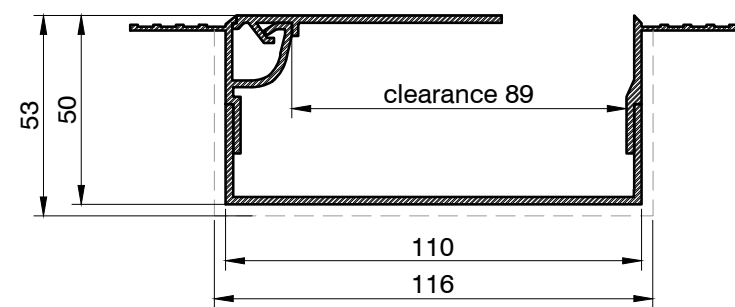
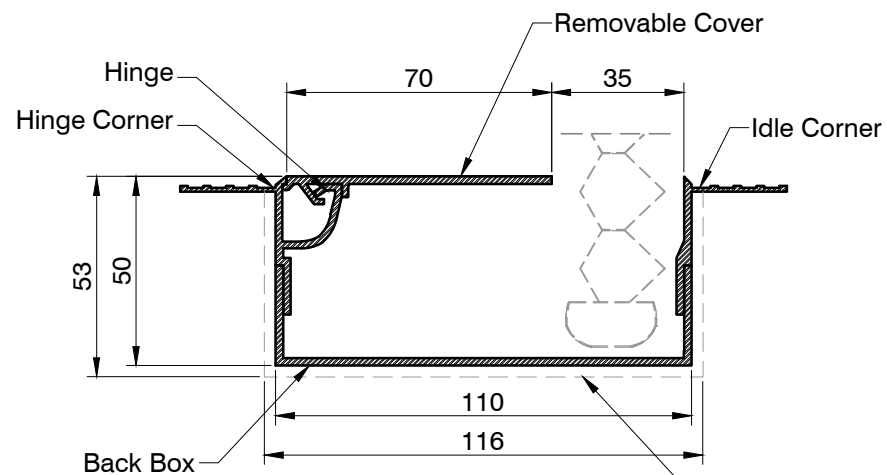


**Head Box
W110x130 S**



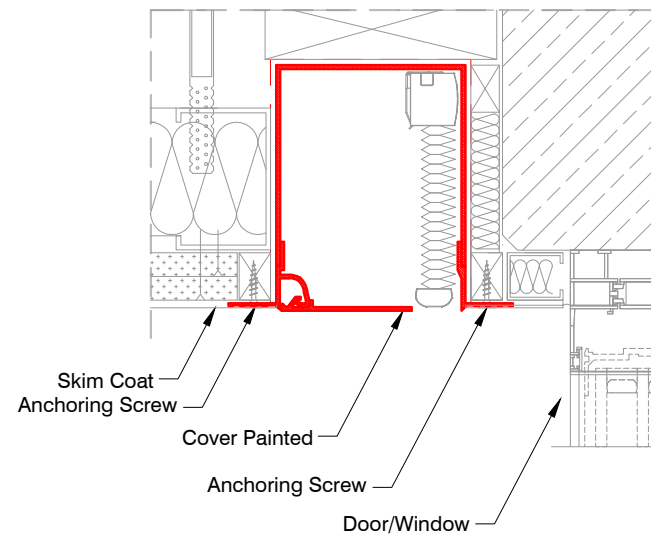
**Side Box
W110x50 S**



**Hembar Box
W110x50 S**

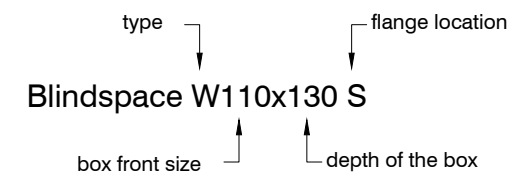
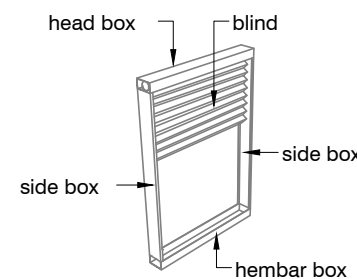
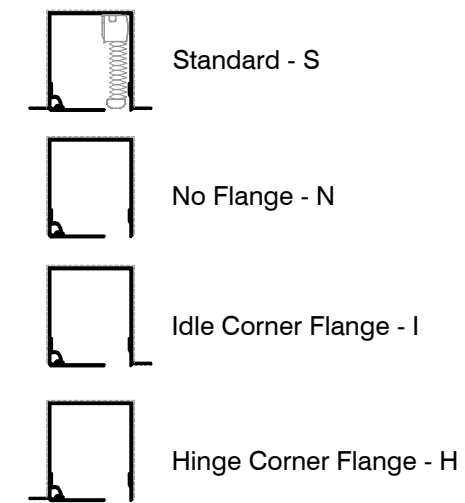
INSTALLATION NOTE:
Make sure there is space for window/door handles.
Boxes and blinds can also be mirrored in vertical plane for opening towards the room.

Sample Installation Detail



1:5 scale

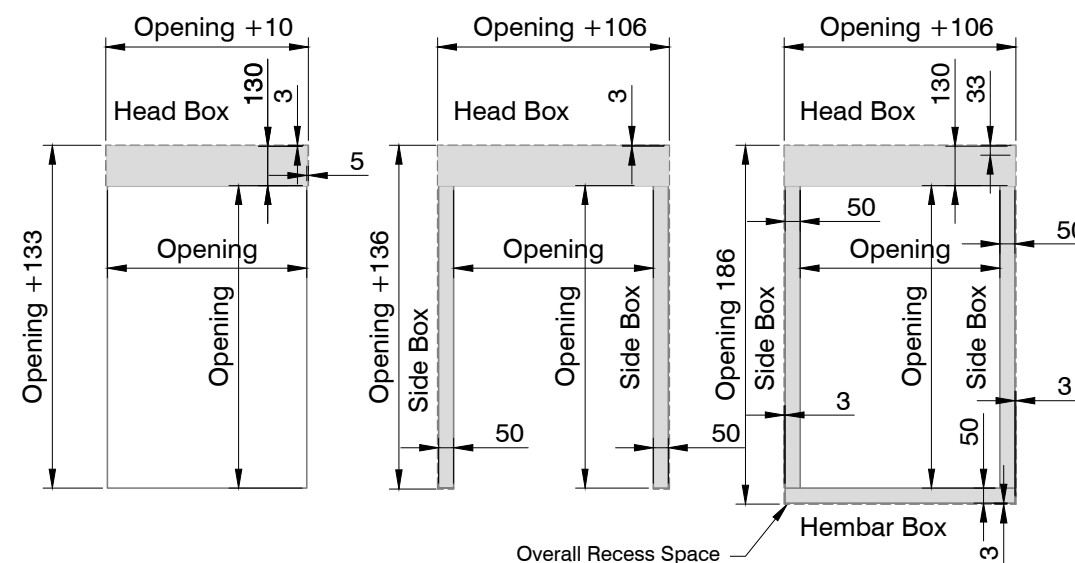
**Skim Coat Flanges
Location Options:**



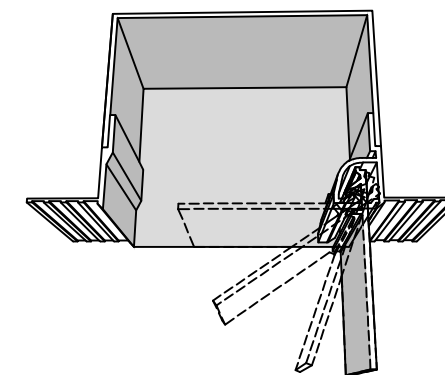
Frame Layout

Top down configuration of blinds is shown.
Bottom up configuration is also possible.
For bottom up configuration the frame layout should be mirrored in horizontal plane.

1:25 scale



Product	Blindspace W110x130
Description	Recessed aluminium boxes and covers designed to conceal window blinds.
Material	Anodized Aluminium, grade: front plate: EN 6063 T6 back plate: EN AW-1050A H14/H24
Finishes	- Unfinished for site painting - Primed for site painting - Pre-finished to RAL colour
Blind sizes	Blind Sizes to fit inside the box: Duetto® 25mm free hanging motorised Opening Width max:2200mm Opening Height max: 2200mm
Installation	Boxes should be fixed on both sides. The finished plaster level should be flush with chamfered edge. Anchoring countersink screws through skim coat flanges are recommended.
Drawing	Standard Blindspace Boxes W110x130 for Window Blinds
Item name	W110x130, W110x50
Date	October, 2017
Notes	Dimensions in mm Do not scale from drawing
Drawn by	M. Kozak, J. Dobosz
Approved	A. Sundelin
Revision	R-0: first issue



Print date	2017-10-20
Print file	blindspace w110x130 duette 25 hem free hanging motorised v05.dwg
Page size	ISO A3 420x297
Remarks	PWE