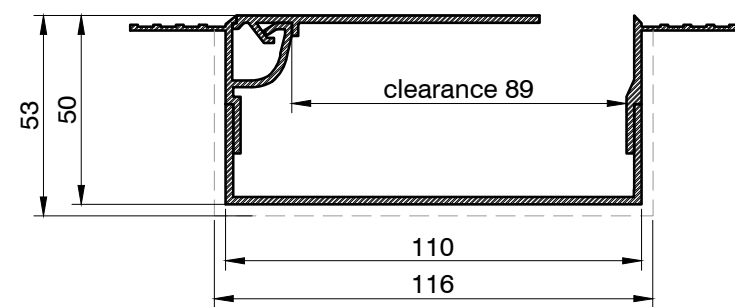
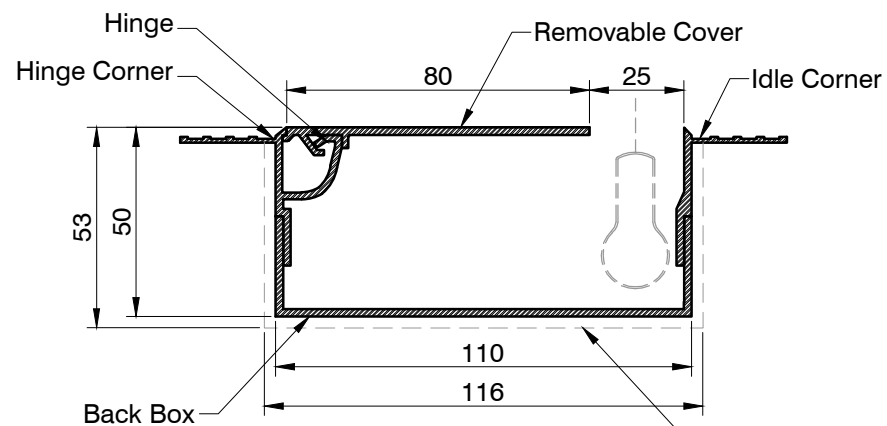


**Head Box  
W110x130 S**



**Side Box  
W110x50 S**

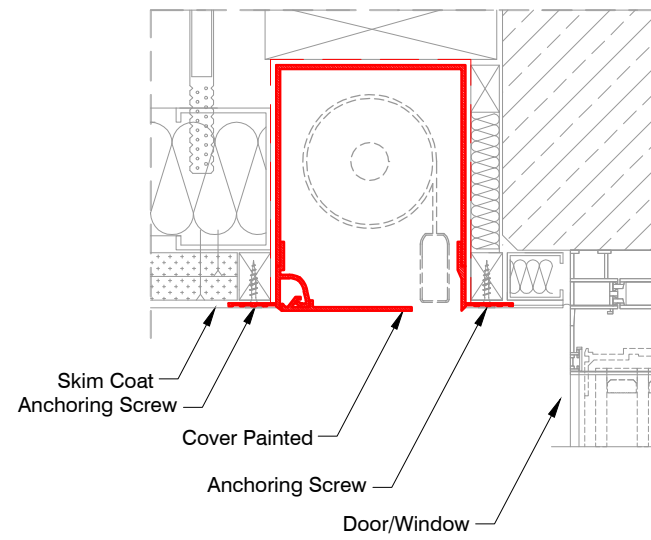


**Hembar Box  
W110x50 S**

1:2 scale

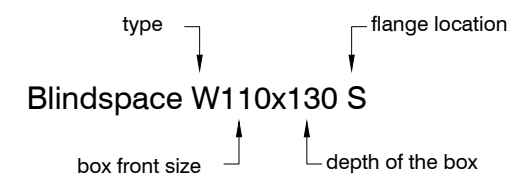
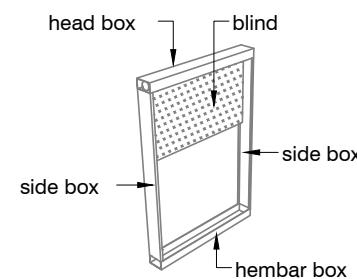
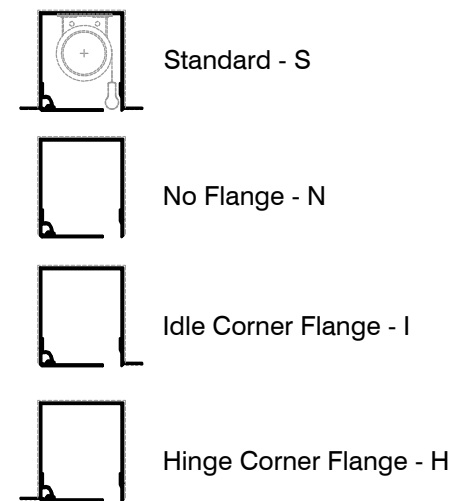
**INSTALLATION NOTE:**  
Make sure there is space for window/door handles.  
Boxes and blinds can also be mirrored in vertical plane for opening towards the room.

**Sample Installation Detail**



1:5 scale

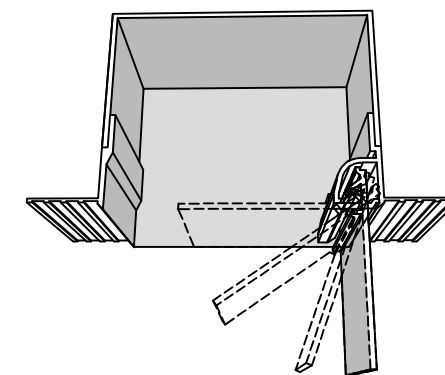
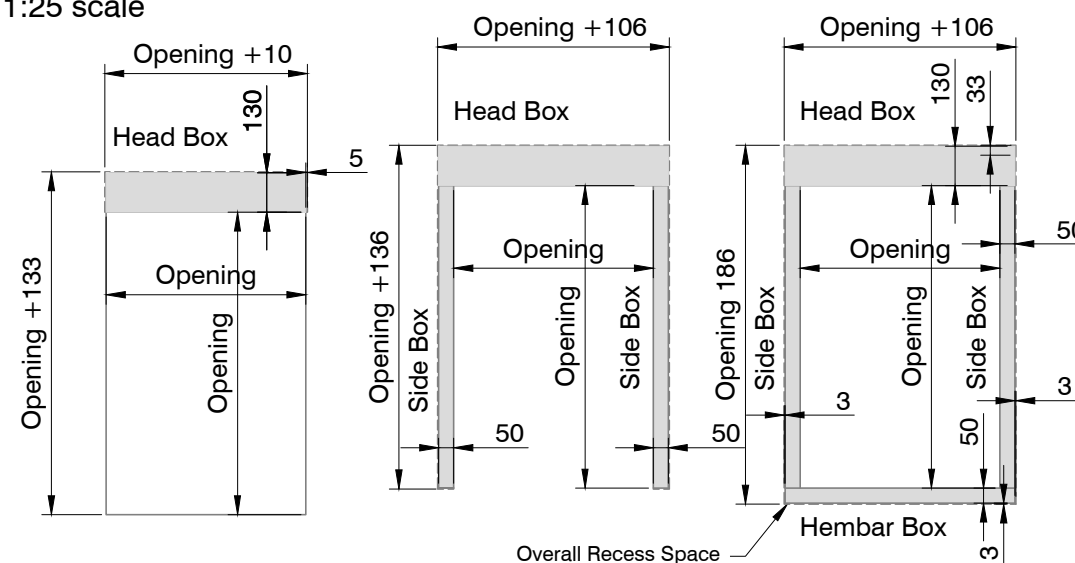
**Skim Coat Flanges  
Location Options:**



**Frame Layout**

Top down configuration of blinds is shown.  
Bottom up configuration is also possible.  
For bottom up configuration the frame layout should be mirrored in horizontal plane.

1:25 scale



Product	Blindspace W110x130
Description	Recessed aluminium boxes and covers designed to conceal window blinds.
Material	Anodized Aluminium, grade: front plate: EN 6063 T6 back plate: EN AW-1050A H14/H24
Finishes	- Unfinished for site painting - Primed for site painting - Pre-finished to RAL colour
Blind sizes	Blind Sizes to fit inside the box: Benthin Large Standard Roller Blind RL01 Opening Width max: 4000mm Opening Height max: 3800mm
Installation	Boxes should be fixed on both sides. The finished plaster level should be flush with chamfered edge. Anchoring countersink screws through skim coat flanges are recommended.
Drawing	Standard Blindspace Boxes W110x130 for Window Blinds
Item name	W110x130, W110x50
Date	October, 2017
Notes	Dimensions in mm Do not scale from drawing
Drawn by	M. Kozak, J. Dobosz
Approved	A. Sundelin
Revision	R-0: first issue

Print date	2017-10-20
Print file	blindspace w110x130 benthin large std roller blind r01 v05.dwg
Page size	ISO A3 420x297
Remarks	RWE