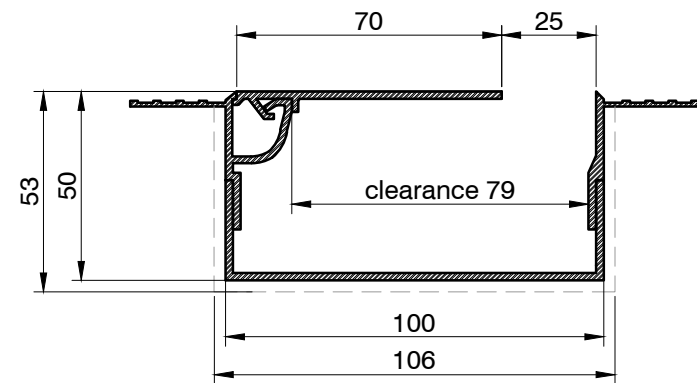
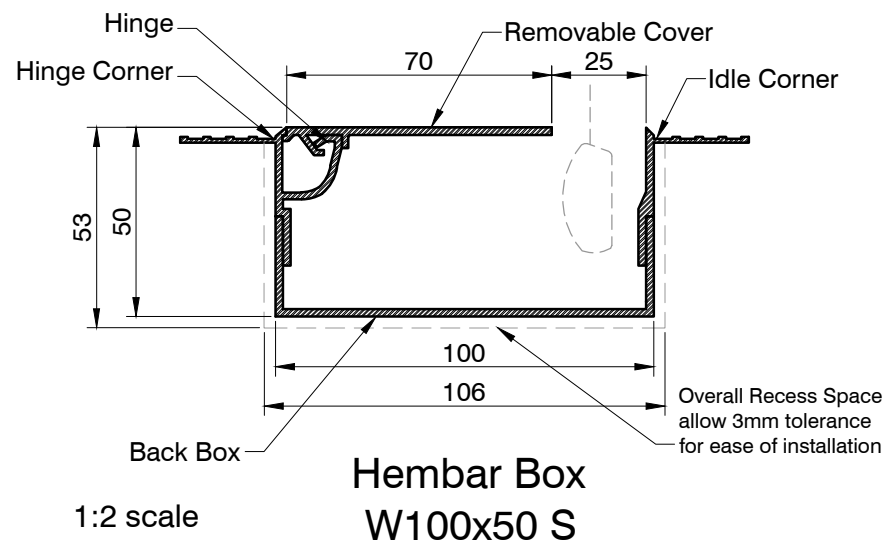


**Head Box  
W100x100 S**



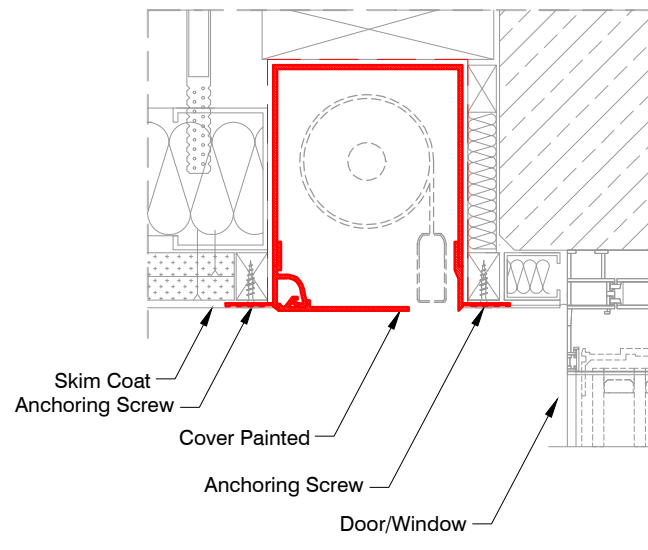
**Side Box  
W100x50 S**



**Hembar Box  
W100x50 S**

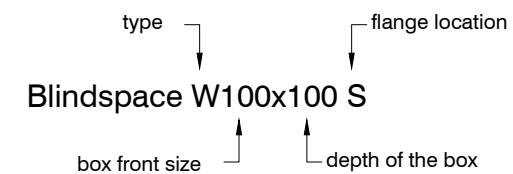
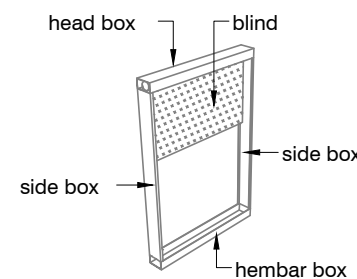
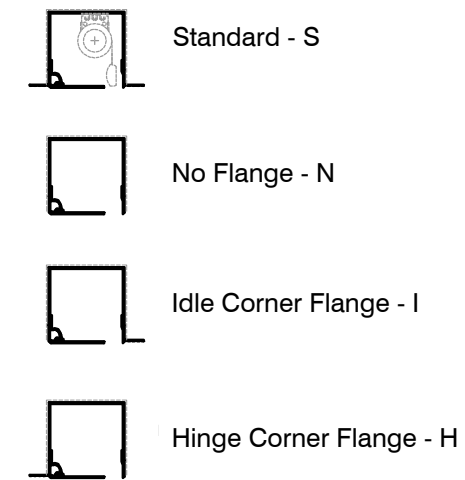
**INSTALLATION NOTE:**  
Make sure there is space for window/door handles.  
Boxes and blinds can also be mirrored in vertical plane  
for opening towards the room.

**Sample Installation Detail**



1:5 scale

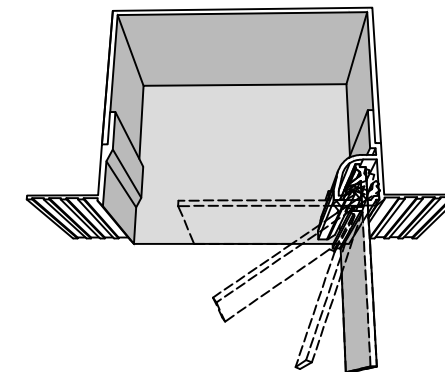
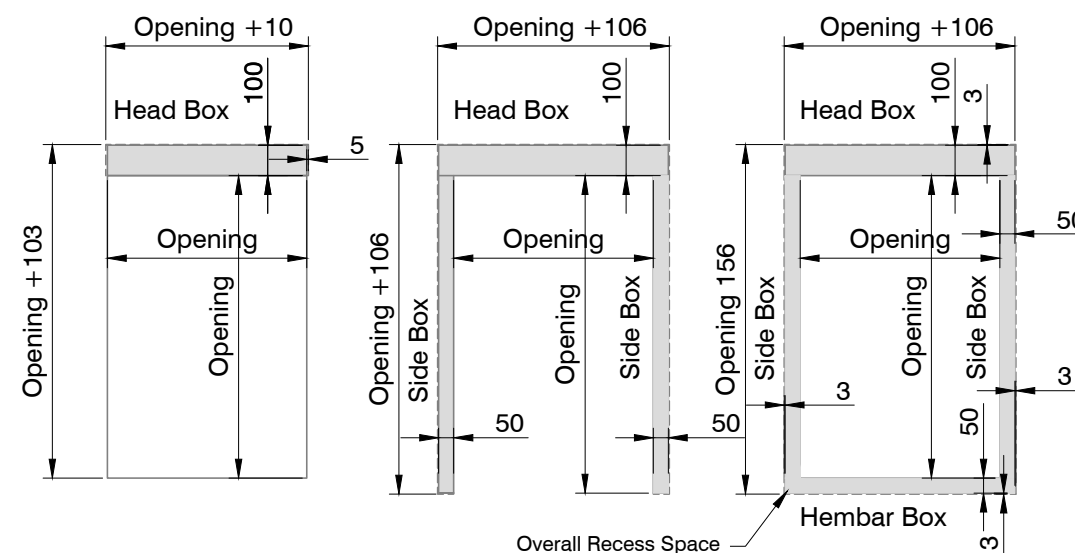
**Skim Coat Flanges  
Location Options:**



**Frame Layout**

Top down configuration of blinds is shown.  
Bottom up configuration is also possible.  
For bottom up configuration the frame layout  
should be mirrored in horizontal plane.

1:25 scale



Product	Blindspace W100x100
Description	Recessed aluminium boxes and covers designed to conceal rooflights blinds.
Material	Anodized Aluminium, grade: front plate: EN 6063 T6 back plate: EN AW-1050A H14/H24
Finishes	- Unfinished for site painting - Primed for site painting - Pre-finished to RAL colour
Blind sizes	Blind Sizes to fit inside the box: Benthin Medium Standard Roller Blind RM01 Opening Width max: 2800mm Opening Height max: 2900mm
Installation	Boxes should be fixed on both sides. The finished plaster level should be flush with chamfered edge. Anchoring countersink screws through skim coat flanges are recommended.
Drawing	Standard Blindspace Boxes W100x100 for Window Blinds
Item name	W100x100, W100x50
Date	October, 2017
Notes	Dimensions in mm Do not scale from drawing
Drawn by	M. Kozak, J. Dobosz
Approved	A. Sundelin
Revision	R-0: first issue

Print date	2017-10-20
Print file	blindspace w100x100 benthin medium std roller blind rm01 v17.dwg
Page size	ISO A3 420x297
Remarks	