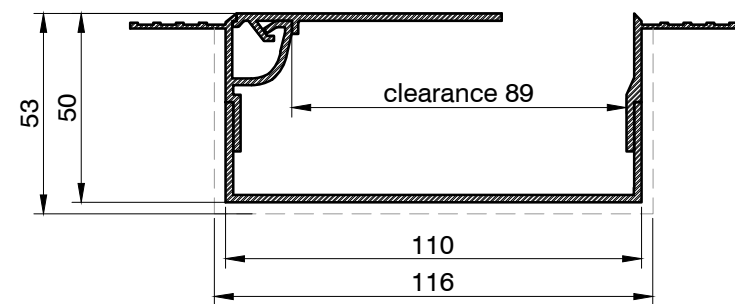
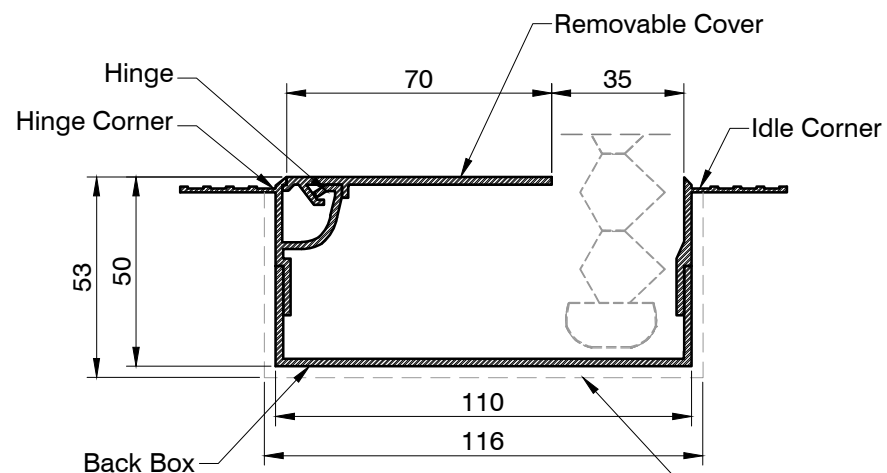


**Head Box  
W110x170 S**



**Side Box  
W110x50 S**



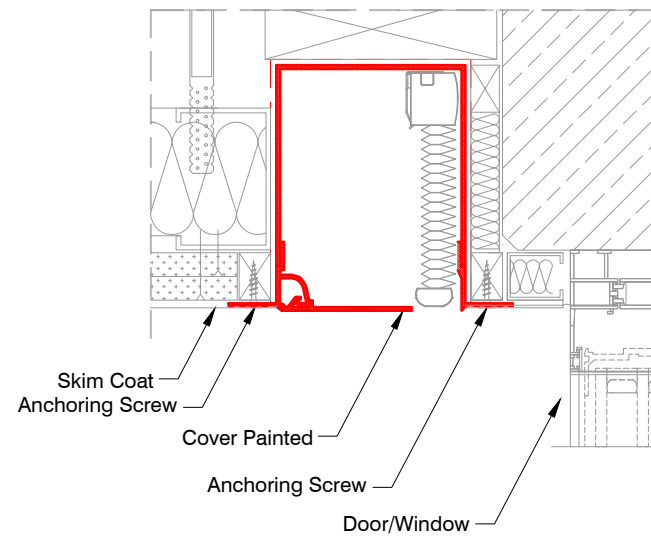
**Hembar Box  
W110x50 S**

1:2 scale

Overall Recess Space  
allow 3mm tolerance  
for ease of installation

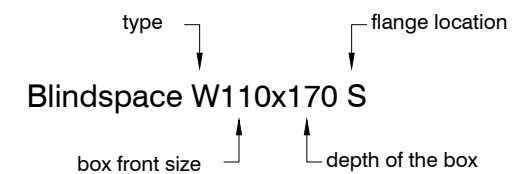
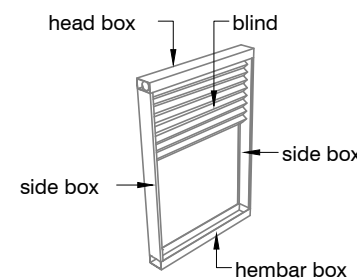
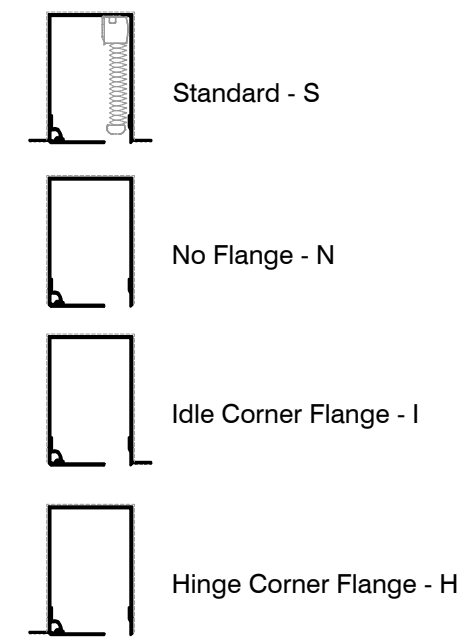
**INSTALLATION NOTE:**  
Make sure there is space for window/door handles.  
Boxes and blinds can also be mirrored in vertical plane  
for opening towards the room.

**Sample Installation Detail**



1:5 scale

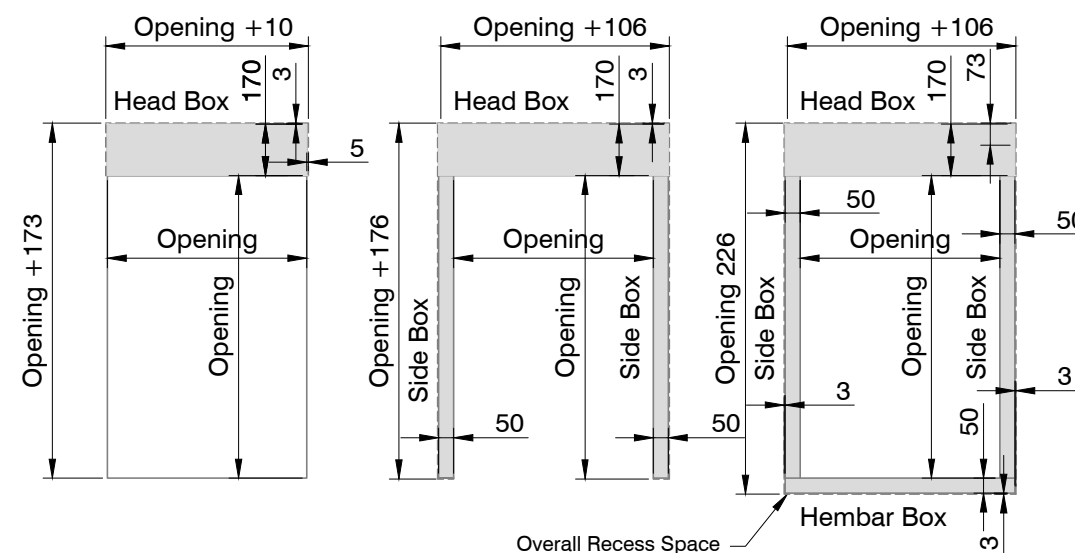
**Skim Coat Flanges  
Location Options:**



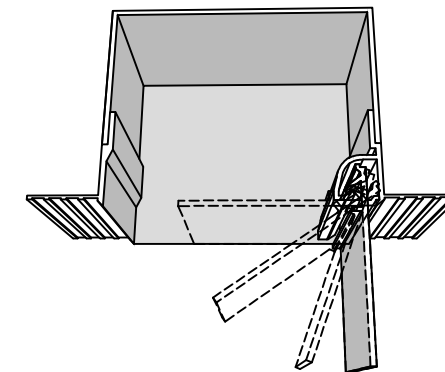
**Frame Layout**

Top down configuration of blinds is shown.  
Bottom up configuration is also possible.  
For bottom up configuration the frame layout  
should be mirrored in horizontal plane.

1:25 scale



Product	Blindspace W110x170
Description	Recessed aluminium boxes and covers designed to conceal window blinds.
Material	Anodized Aluminium, grade: front plate: EN 6063 T6 back plate: EN AW-1050A H14/H24
Finishes	- Unfinished for site painting - Primed for site painting - Pre-finished to RAL colour
Blind sizes	Blind Sizes to fit inside the box: Elan Duette® 25mm free hanging motorised Opening Width max :2200mm Opening Height max: 3800mm
Installation	Boxes should be fixed on both sides. The finished plaster level should be flush with chamfered edge. Anchoring countersink screws through skim coat flanges are recommended.
Drawing	Standard Blindspace Boxes W110x170 for Window Blinds
Item name	W110x170, W110x50
Date	October, 2017
Notes	Dimensions in mm Do not scale from drawing
Drawn by	M. Kozak, J. Dobosz
Approved	A. Sundelin
Revision	R-0: first issue



Print date	2017-10-20
Print file	blindspace w110x170 elan duette 25 mm free hanging motorised v07.dxf
Page size	ISO A3 420x297
Remarks	PWE