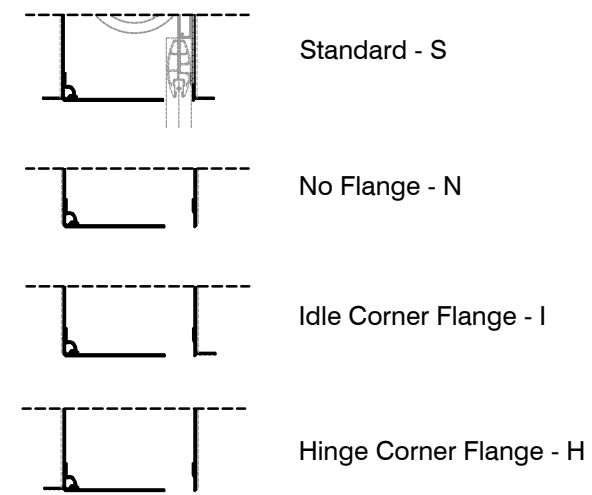


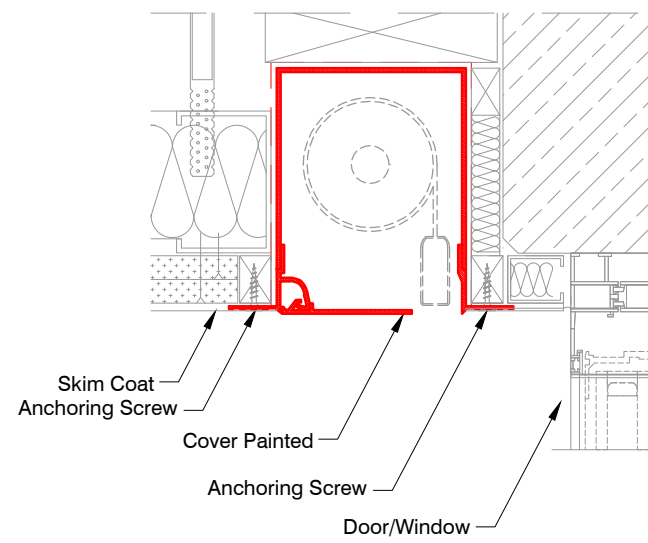
Product	Blindspace W175x235
Description	Recessed aluminium boxes and covers designed to conceal window blinds.
Material	Anodized Aluminium, grade: front plate: EN 6063 T6 back plate: EN AW-1050A H14/H24
Finishes	- Unfinished for site painting - Primed for site painting - Pre-finished to RAL colour
Blind sizes	Blind Sizes to fit inside the box:  SHY 150/110 ZIP 240v with 75mm hem bar Opening Width max: 4900mm Opening Height max: 6100mm Max area: 28.2m <sup>2</sup>
Installation	Boxes should be fixed on both sides. The finished plaster level should be flush with chamfered edge. Anchoring countersink screws through skim coat flanges are recommended.
Drawing	Standard Blindspace Boxes W175x235 for Window Blinds
Item name	W175x235, W175x50, W175x100
Date	October, 2017
Notes	Dimensions in mm Do not scale from drawing
Drawn by	M. Kozak, J. Dobosz
Approved	A. Sundelin
Revision	R-01 first issue R-02 third parties hardware update

### Skim Coat Flanges Location Options:

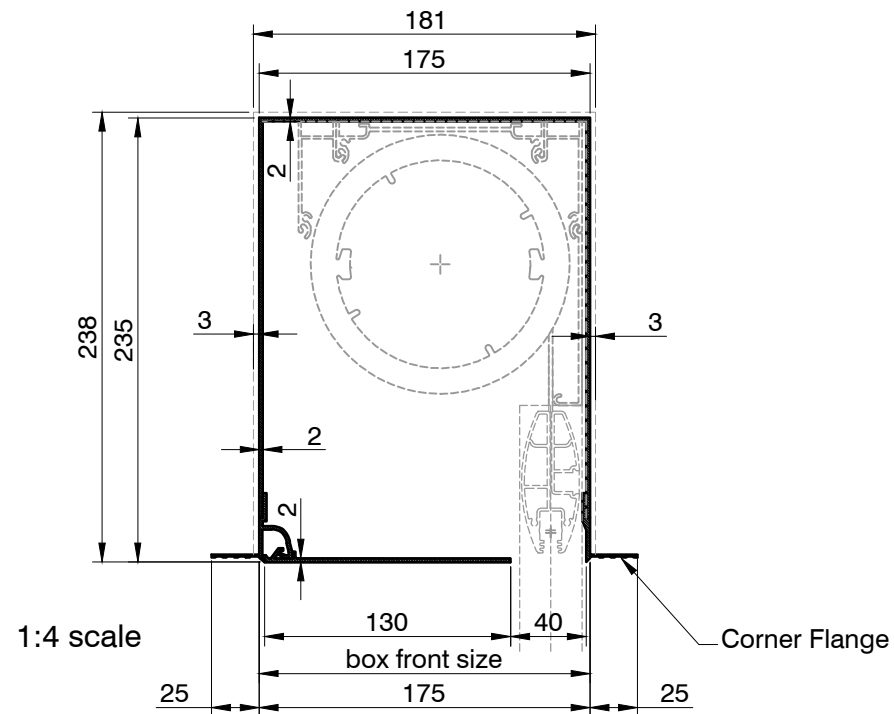


**INSTALLATION NOTE:**  
Make sure there is space for window/door handles.  
Boxes and blinds can also be mirrored in vertical plane for opening towards the room.

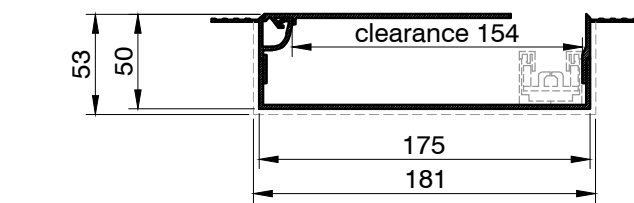
### Sample Installation Detail



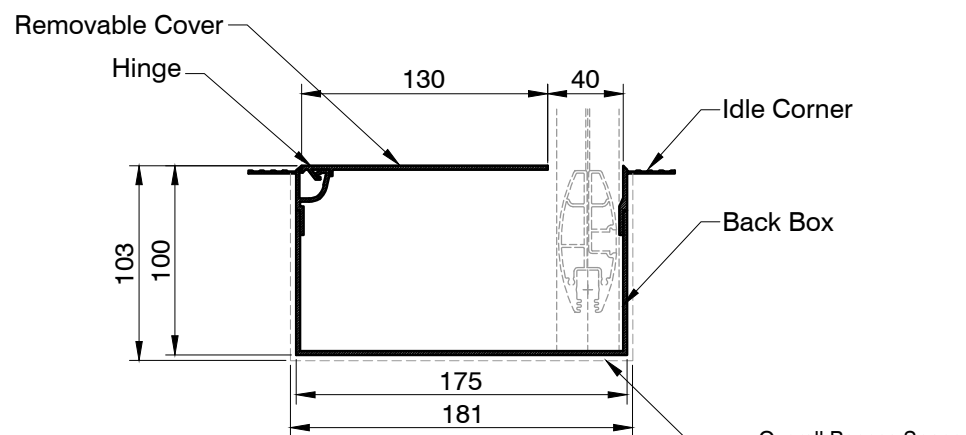
1:5 scale



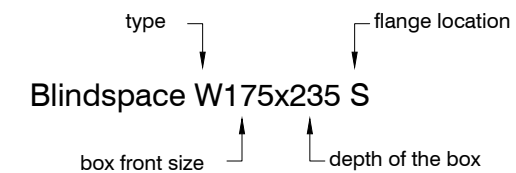
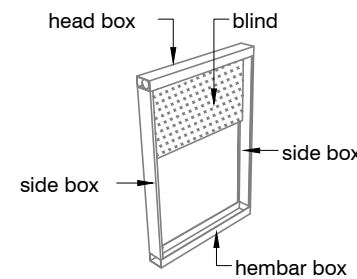
**Head Box  
W175x235 S**



**Side Box  
W175x50 S**



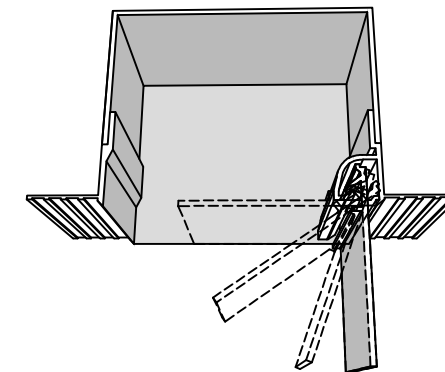
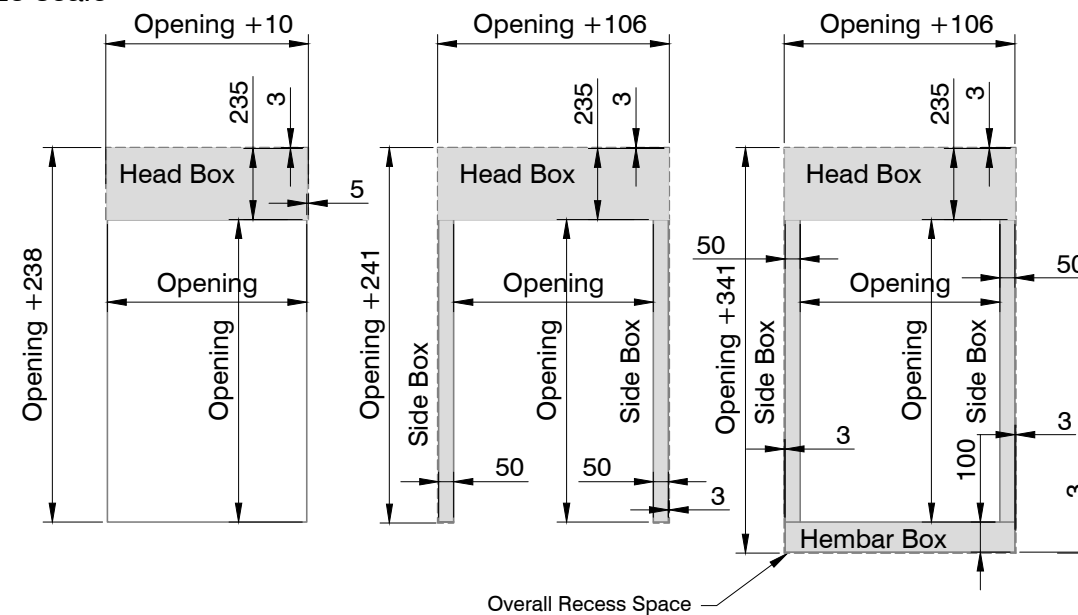
**Hembar Box  
W175x100 S**



### Frame Layout

Top down configuration of blinds is shown.  
Bottom up configuration is also possible.  
For bottom up configuration the frame layout should be mirrored in horizontal plane.

1:25 scale



Print date	2017-10-20
Print file	blindspace windows w175x235 shy 150-110 zip 240v 75 hem v03.dwg
Page size	ISO A3 420x297
Remarks	ZWE