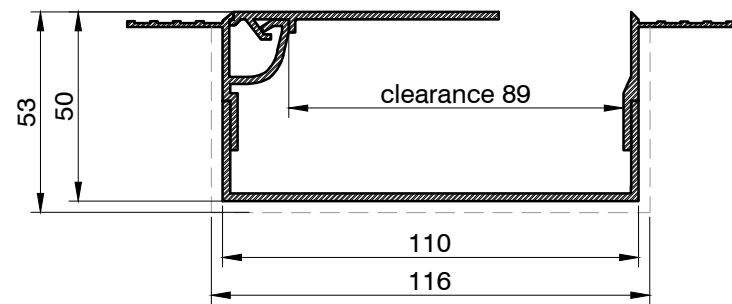
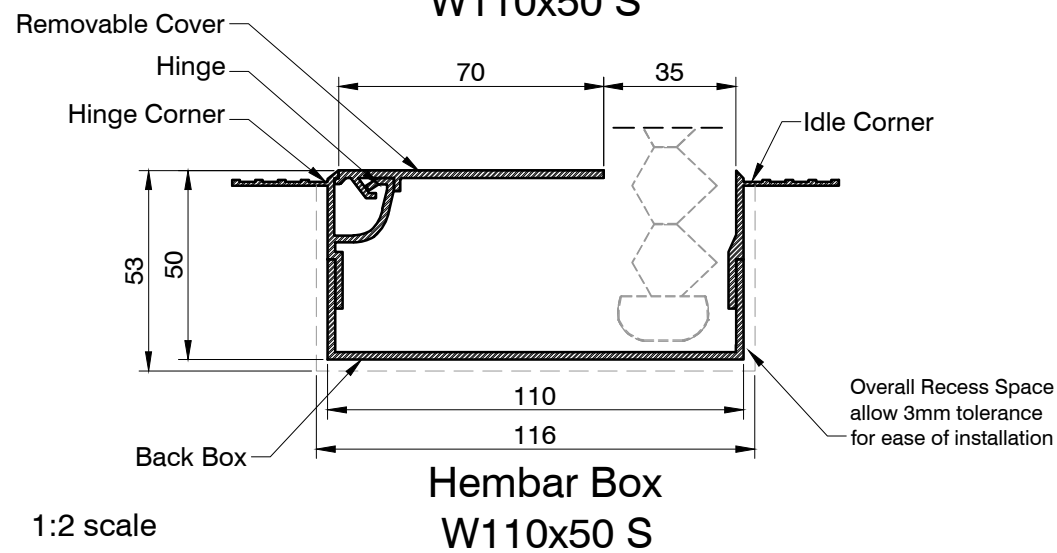


**Head Box  
W110x200 S**



**Side Box  
W110x50 S**

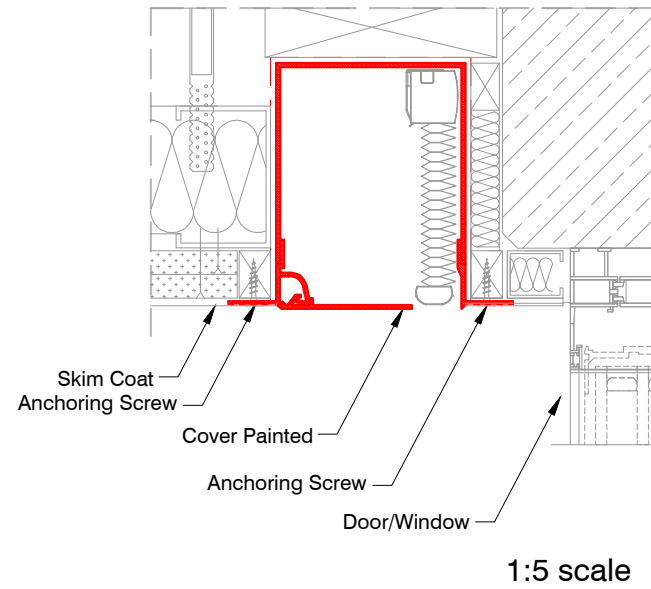


1:2 scale

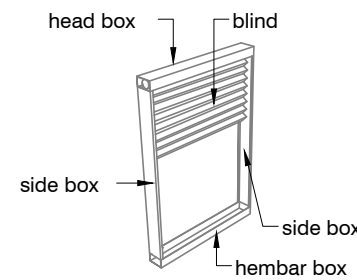
**Hembar Box  
W110x50 S**

**INSTALLATION NOTE:**  
Make sure there is space for window/door handles.  
Boxes and blinds can also be mirrored in vertical plane for opening towards the room.

**Sample Installation Detail**



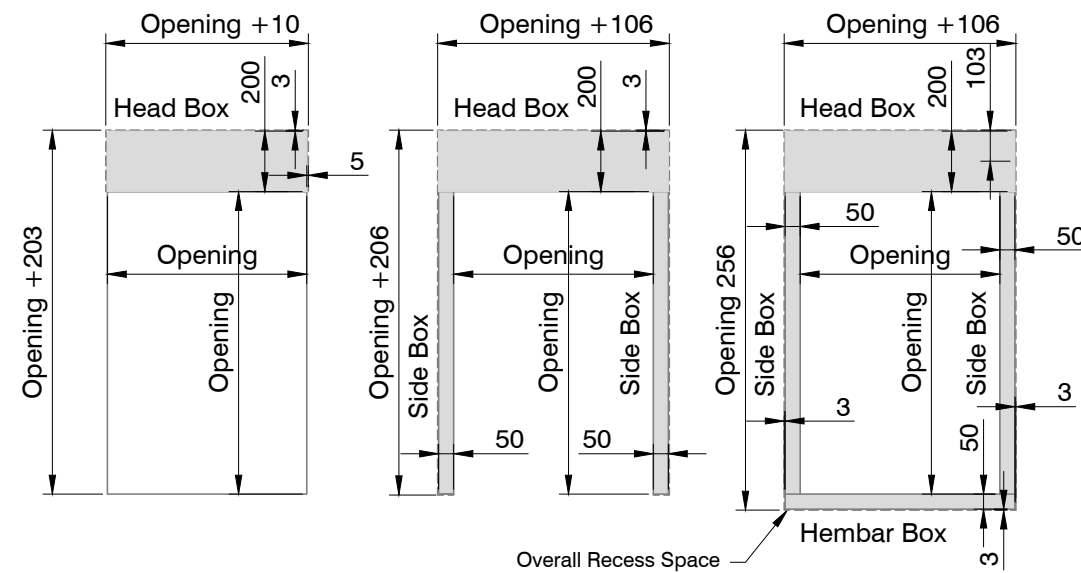
1:5 scale



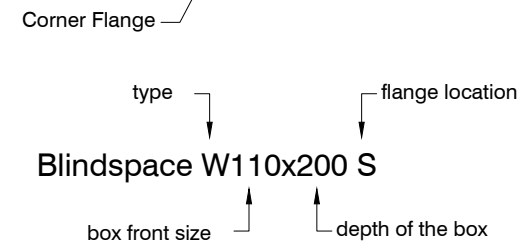
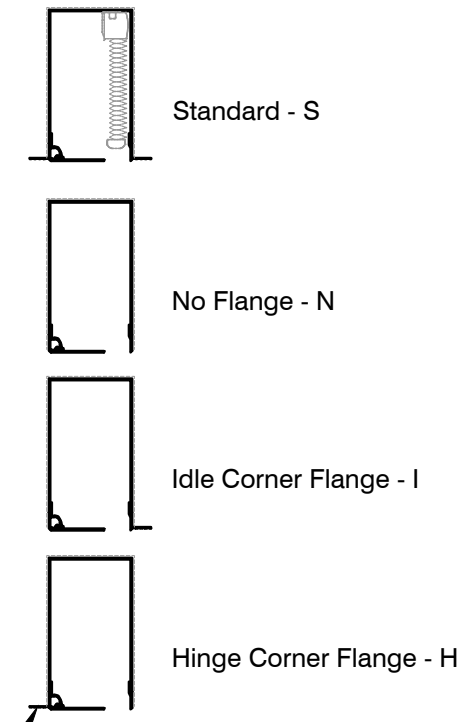
**Frame Layout**

Top down configuration of blinds is shown.  
Bottom up configuration is also possible.  
For bottom up configuration the frame layout should be mirrored in horizontal plane.

1:25 scale

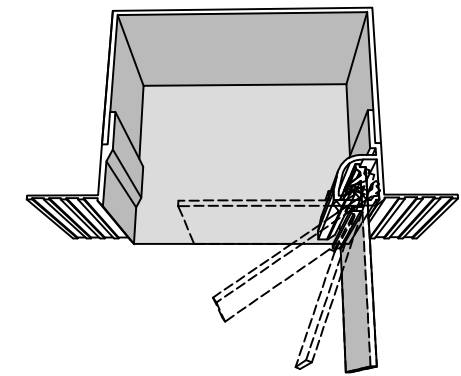


**Skim Coat Flanges  
Location Options:**



**Blindspace W110x200 S**

Product	Blindspace W110x200
Description	Recessed aluminium boxes and covers designed to conceal window blinds.
Material	Anodized Aluminium, grade: front plate: EN 6063 T6 back plate: EN AW-1050A H14/H24
Finishes	- Unfinished for site painting - Primed for site painting - Pre-finished to RAL colour
Blind sizes	Blind Sizes to fit inside the box: Elan Duette® 25mm free hanging motorised Opening Width max :2200mm Opening Height max: 4200mm
Installation	Boxes should be fixed on both sides. The finished plaster level should be flush with chamfered edge. Anchoring countersink screws through skim coat flanges are recommended.
Drawing	Standard Blindspace Boxes W110x200 for Window Blinds
Item name	W110x200, W110x50
Date	October, 2017
Notes	Dimensions in mm Do not scale from drawing
Drawn by	M. Kozak, J. Dobosz
Approved	A. Sundelin
Revision	R-0: first issue



Print date	2017-10-20
Print file	blindspace w110x200 elan duette 25 hem free hanging motorised v05.dxf
Page size	ISO A3 420x297
Remarks	PWE