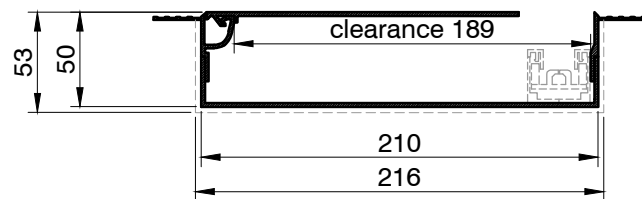
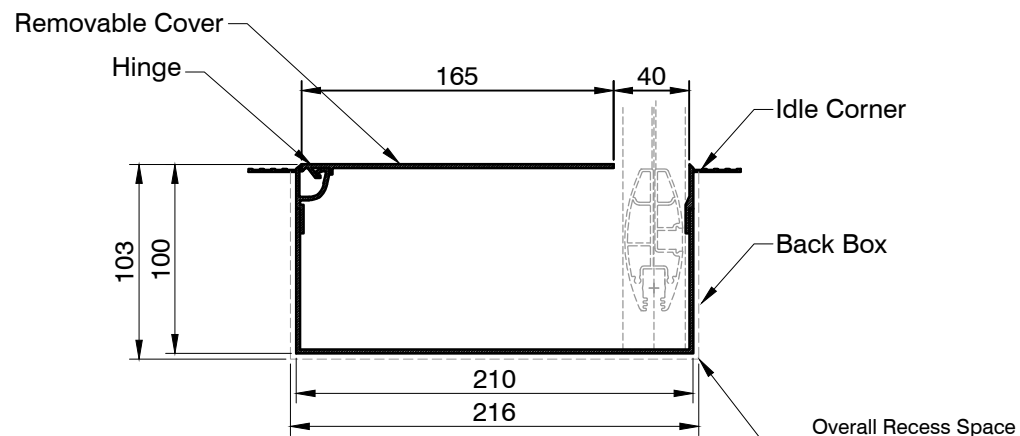


**Head Box
W210x270 S**



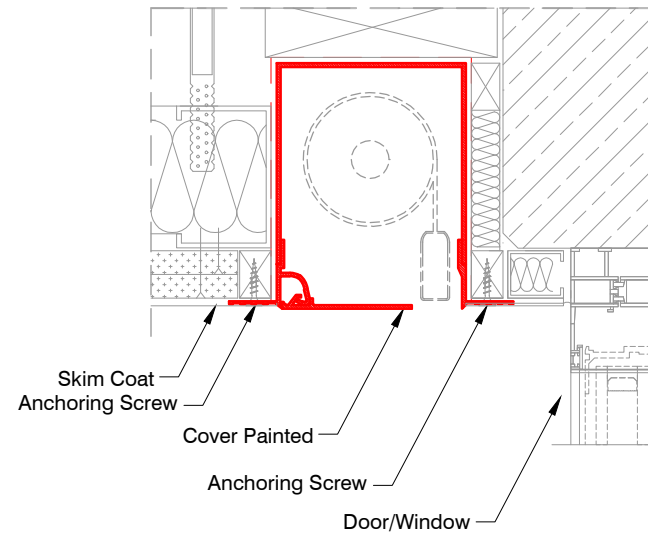
**Side Box
W210x50 S**



**Hembar Box
W210x100 S**

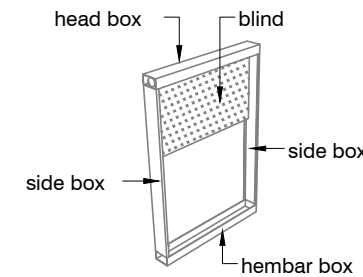
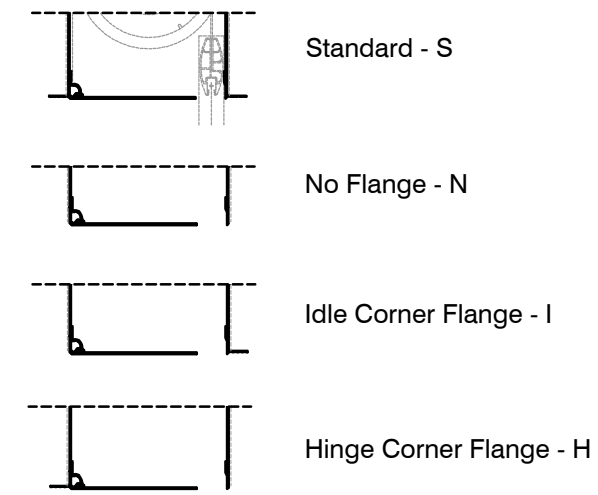
INSTALLATION NOTE:
Make sure there is space for window/door handles.
Boxes and blinds can also be mirrored in vertical plane for opening towards the room.

Sample Installation Detail



1:5 scale

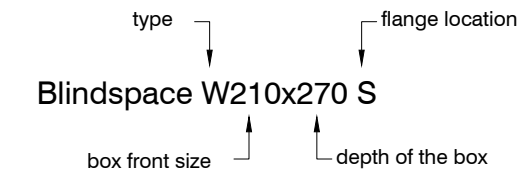
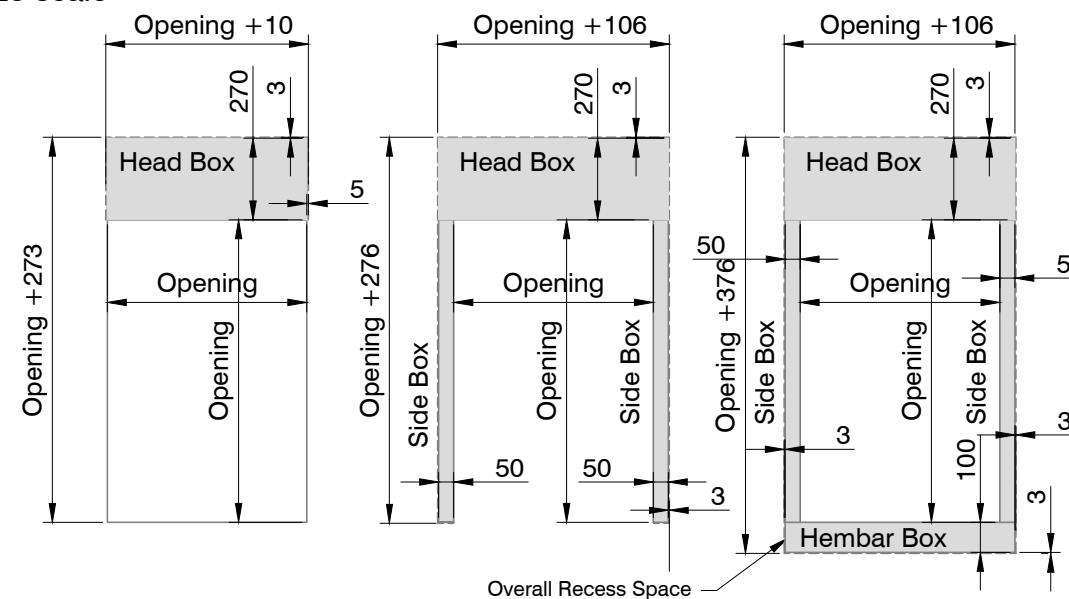
**Skim Coat Flanges
Location Options:**



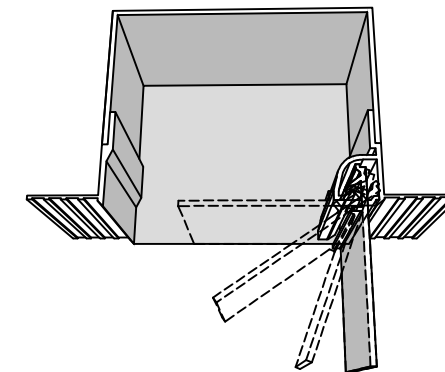
Frame Layout

Top down configuration of blinds is shown.
Bottom up configuration is also possible.
For bottom up configuration the frame layout should be mirrored in horizontal plane.

1:25 scale



Product	Blindspace W210x270
Description	Recessed aluminium boxes and covers designed to conceal window blinds.
Material	Anodized Aluminium, grade: front plate: EN 6063 T6 back plate: EN AW-1050A H14/H24
Finishes	- Unfinished for site painting - Primed for site painting - Pre-finished to RAL colour
Blind sizes	Blind Sizes to fit inside the box: SHY 200/160 ZIP 240v with 75mm hem bar Opening Width max: 6400mm Opening Height max: 9700mm Max area: 47.4m ²
Installation	Boxes should be fixed on both sides. The finished plaster level should be flush with chamfered edge. Anchoring countersink screws through skim coat flanges are recommended.
Drawing	Standard Blindspace Boxes W210x270 for Window Blinds
Item name	W210x270, W210x50, W210x100
Date	October, 2017
Notes	Dimensions in mm Do not scale from drawing
Drawn by	M. Kozak, J. Dobosz
Approved	A. Sundelin
Revision	R-01 first issue R-02 third parties hardware update



Print date	2017-10-20
Print file	blindspace w210x270 shy 200-160 zip 240v 75 hem v05.dxf
Page size	ISO A3 420x297
Remarks	ZWE