

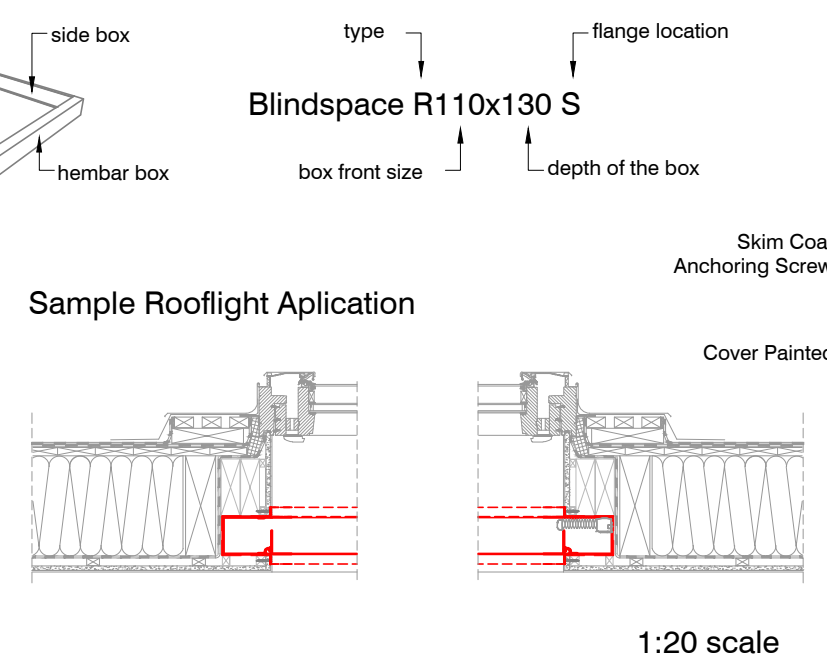
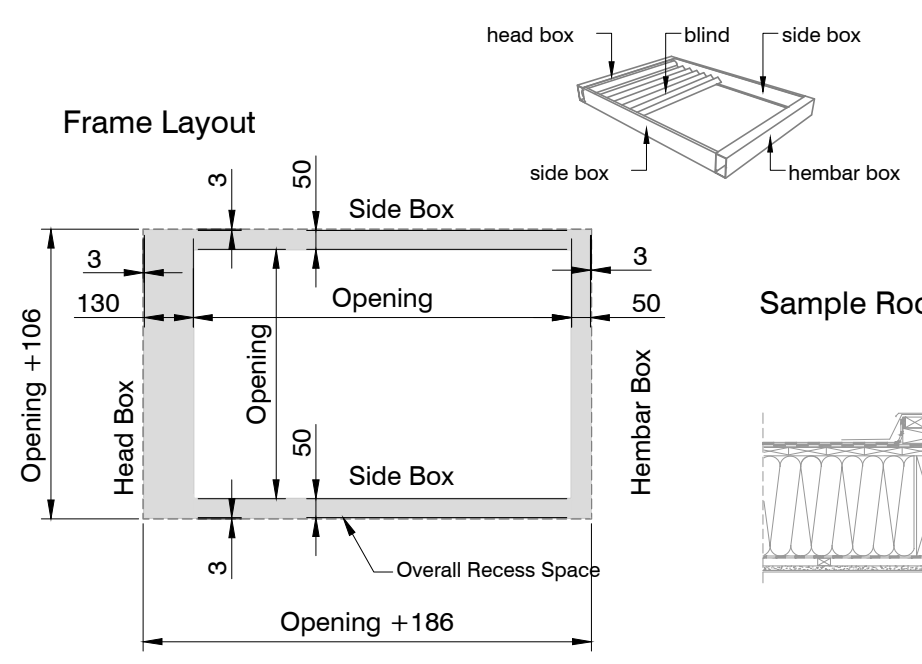
Head Box  
R110x130 S

Side Box  
R110x50 S

Hembar Box  
R110x50 S

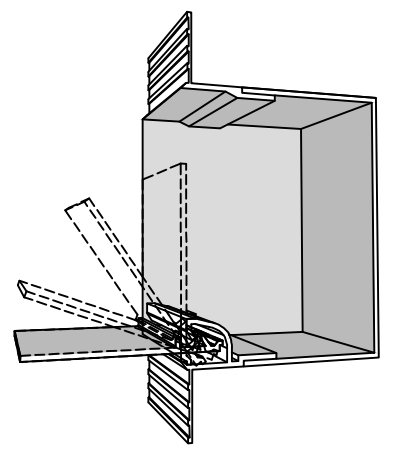
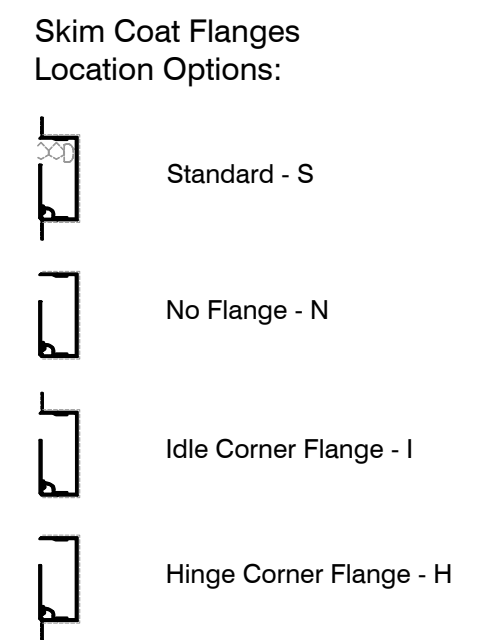
1:2 scale

Product	Blindspace R110x130
Description	Recessed aluminium boxes and covers designed to conceal rooflights blinds.
Material	Anodized Aluminium, grade: front plate: EN 6063 T6 back plate: EN AW-1050A H14/H24
Finishes	- Unfinished for site painting - Primed for site painting - Pre-finished to RAL colour
Blind sizes	Blind Sizes to fit inside the box: Duette® 25mm roof blind motorised Opening Width max: 2100mm Opening Length max: 2200mm Max area: 5,4m <sup>2</sup>
Installation	Boxes should be fixed on both sides. The finished plaster level should be flush with chamfered edge. Anchoring countersink screws through skim coat flanges are recommended.
Drawing	Standard Blindspace Boxes R110x130 for Rooflight Blinds
Item name	R110x130, R110x50
Date	October, 2017
Notes	Dimensions in mm Do not scale from drawing
Drawn by	M. Kozak, J. Dobosz
Approved	A. Sundelin
Revision	R-01 first issue R-02 third parties hardware update



1:20 scale

1:5 scale



Print date	2017-10-19
Print file	blindspace r110x130 duette 25 hem motorised v07.dwg
Page size	ISO A3 420x297
Remarks	PRE