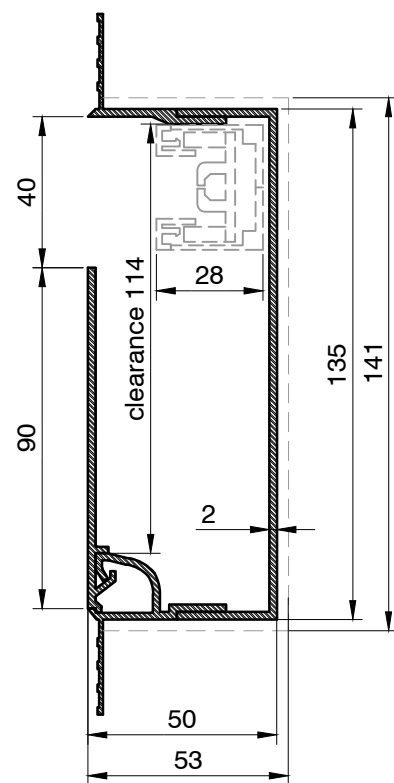
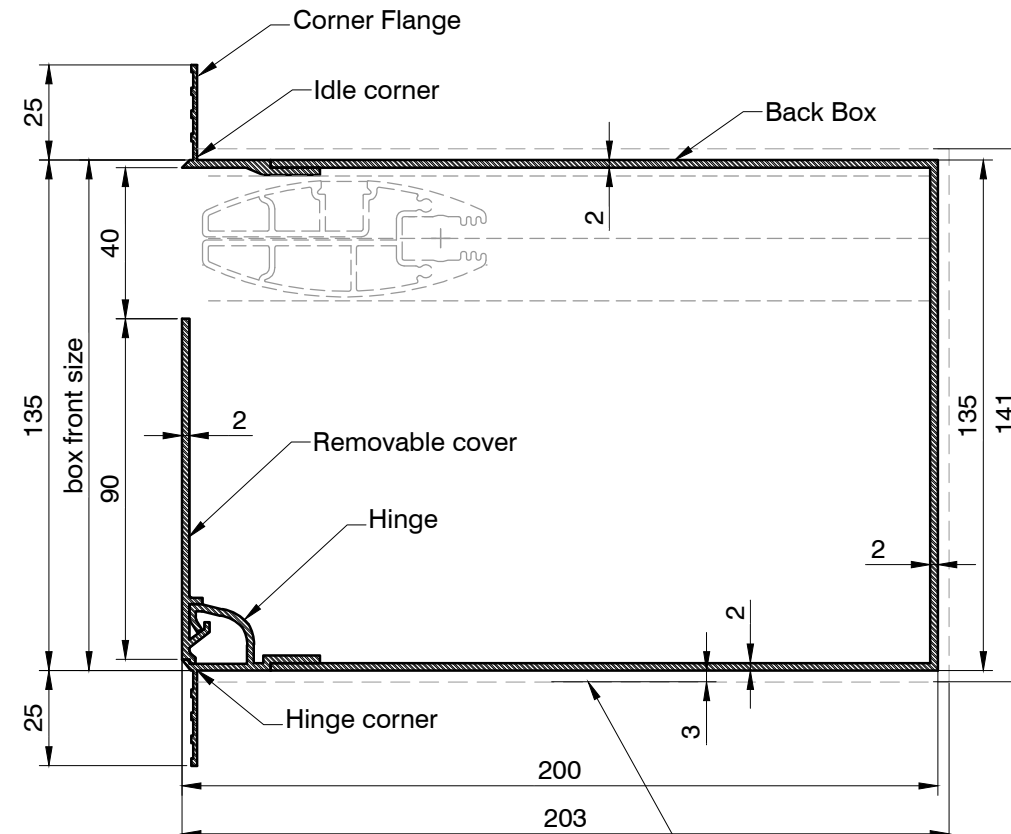


**Head Box
R135x200 S**



**Side Box
R135x50 S**



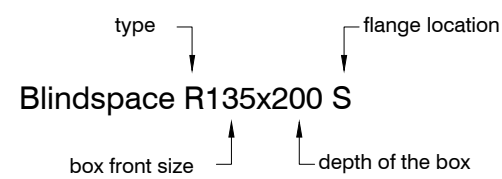
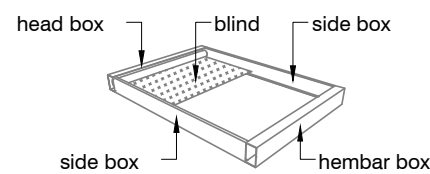
**Hembar Box
R135x200 S**

Overall Recess Space
allow 3mm tolerance around
for ease of installation

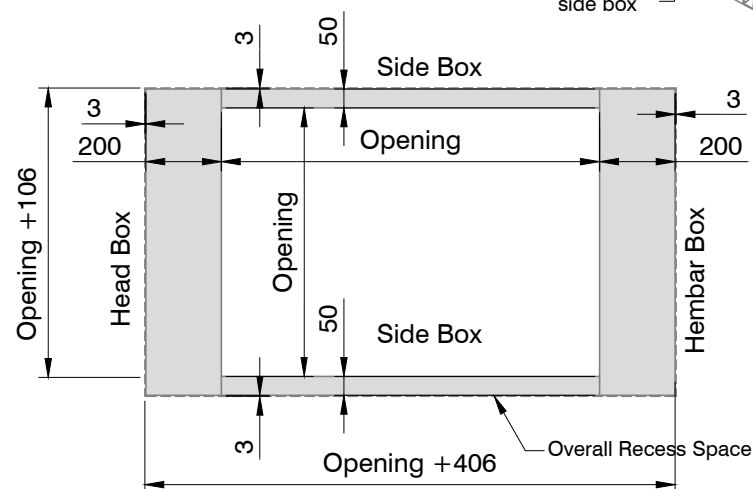
1:2 scale

1:5 scale

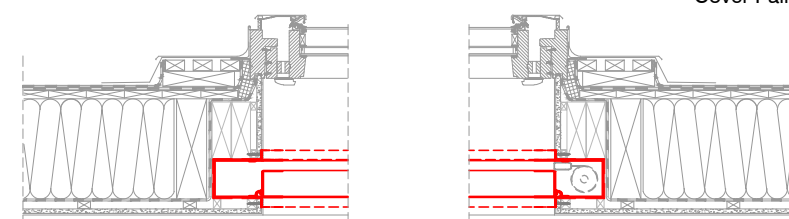
Product	Blindspace R135x200
Description	Recessed aluminium boxes and covers designed to conceal rooflights blinds.
Material	Anodized Aluminium, grade: front plate: EN 6063 T6 back plate: EN AW-1050A H14/H24
Finishes	- Unfinished for site painting - Primed for site painting - Pre-finished to RAL colour
Blind sizes	Blind Sizes to fit inside the box: SHY 110/80 ZIP 240v with 75mm hem bar Opening Width max: 1900mm Opening Length max: 4000mm Max area: 12.2m ²
Installation	Boxes should be fixed on both sides. The finished plaster level should be flush with chamfered edge. Anchoring countersink screws through skim coat flanges are recommended.
Drawing	Standard Blindspace Boxes R135x200 for Rooflight Blinds
Item name	R135x200, R135x50
Date	October, 2017
Notes	Dimensions in mm Do not scale from drawing
Drawn by	M. Kozak, J. Dobosz
Approved	A. Sundelin
Revision	R-01 first issue



Frame Layout

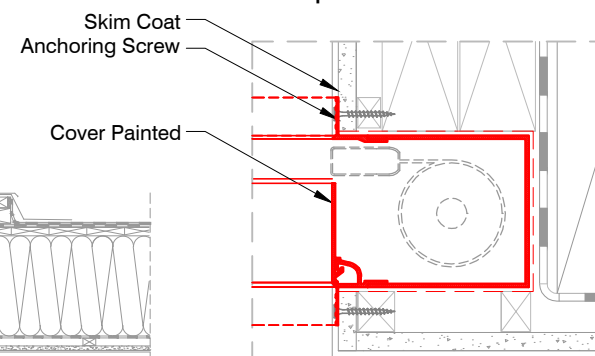


Sample Rooflight Application



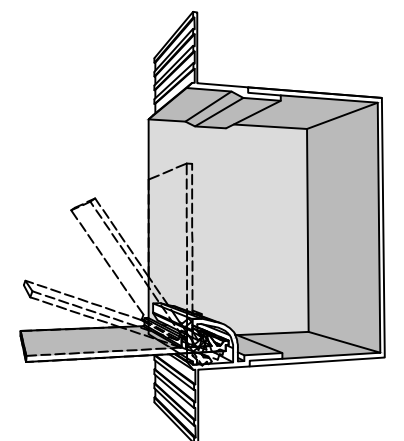
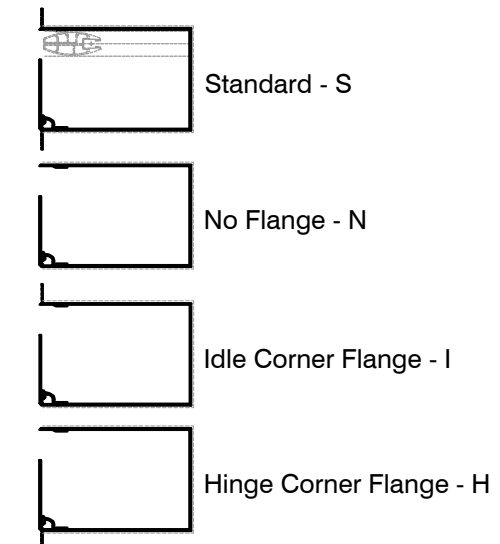
1:20 scale

Sample Installation Detail



1:5 scale

**Skim Coat Flanges
Location Options:**



Print date	2017-10-18
Print file	blindspace r135x200 shy 110-80 zip 240v 75 hem v04.dxf
Page size	ISO A3 420x297
Remarks	ZRE