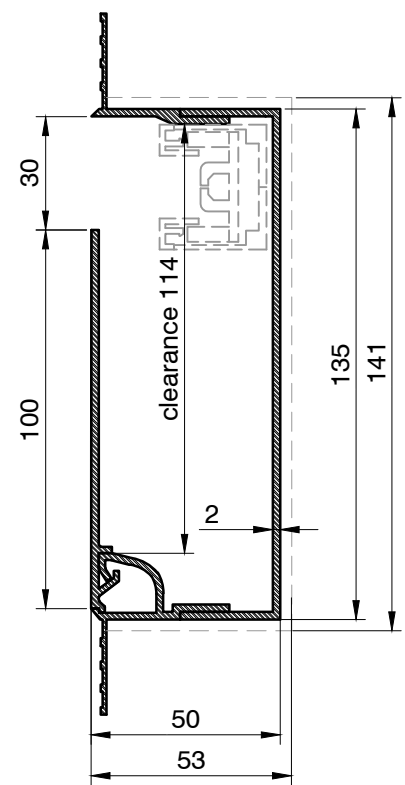
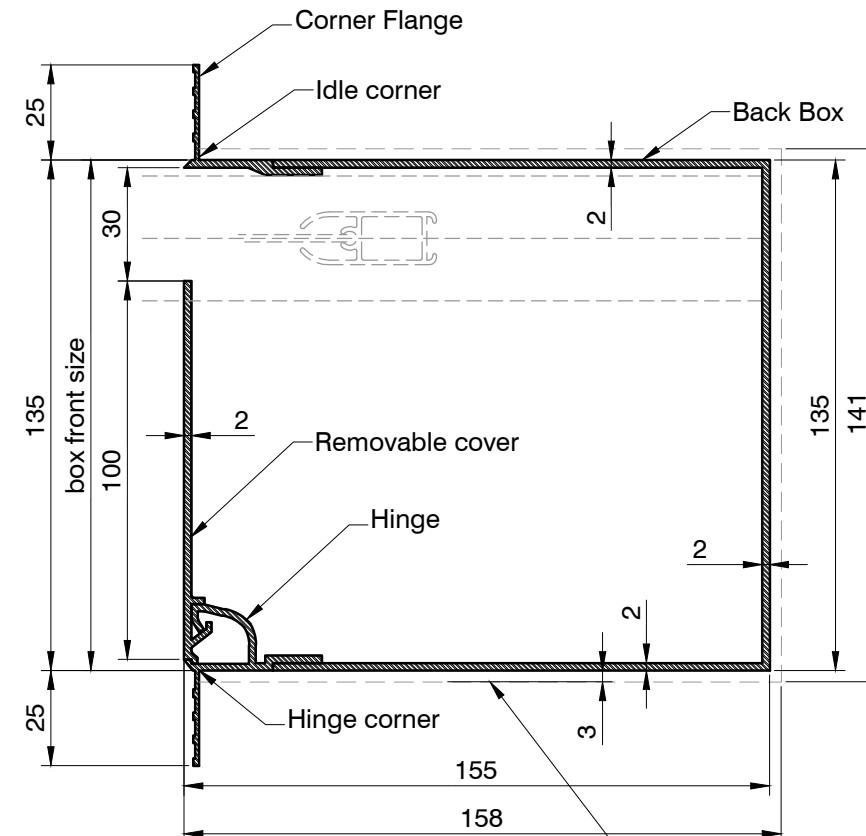


Head Box  
R135x155 S



Side Box  
R135x50 S



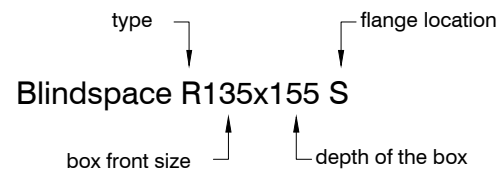
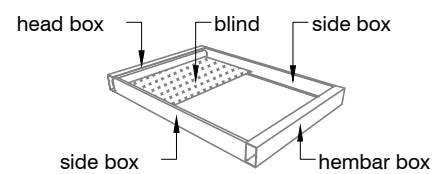
Hembar Box  
R135x155 S

Overall Recess Space  
allow 3mm tolerance  
for ease of installation

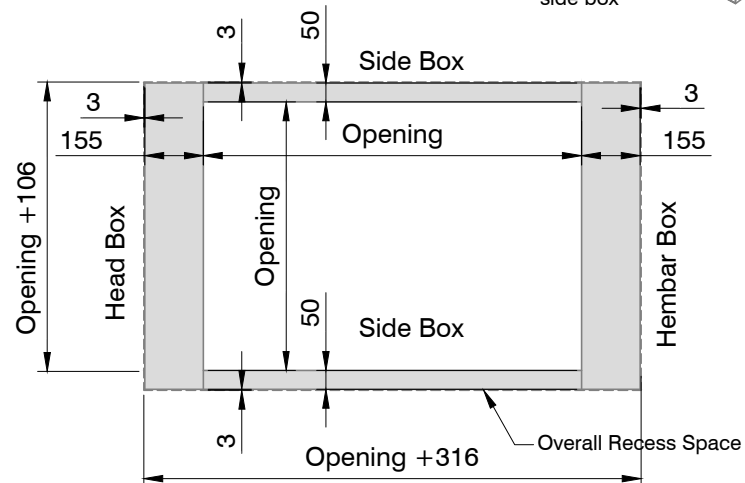
1:2 scale

1:5 scale

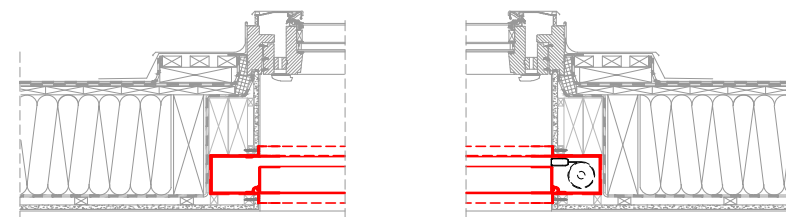
Product	Blindspace R135x155
Description	Recessed aluminium boxes and covers designed to conceal rooflights blinds.
Material	Anodized Aluminium, grade: front plate: EN 6063 T6 back plate: EN AW-1050A H14/H24
Finishes	- Unfinished for site painting - Primed for site painting - Pre-finished to RAL colour
Blind sizes	Blind Sizes to fit inside the box: SHY 110/80 ZIP 240v with 36mm hem bar visible wires Opening Width max: 2900mm Opening Length max: 3200mm Max area: 6.9m <sup>2</sup>
Installation	Boxes should be fixed on both sides. The finished plaster level should be flush with chamfered edge. Anchoring countersink screws through skim coat flanges are recommended.
Drawing	Standard Blindspace Boxes R135x155 for Rooflight Blinds
Item name	R135x155, R135x50
Date	October, 2017
Notes	Dimensions in mm Do not scale from drawing
Drawn by	M. Kozak, J. Dobosz
Approved	A. Sundelin
Revision	R-01 first issue



Frame Layout

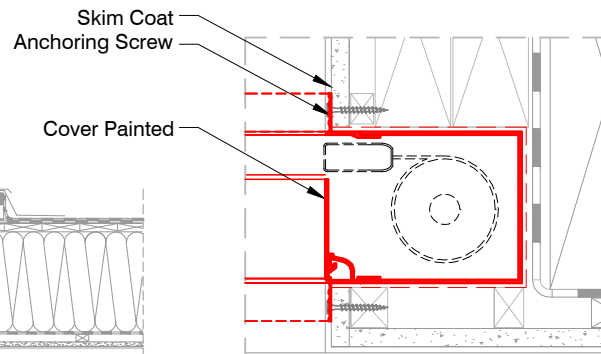


Sample Rooflight Application

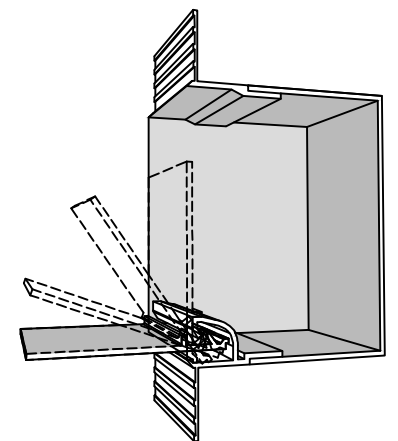
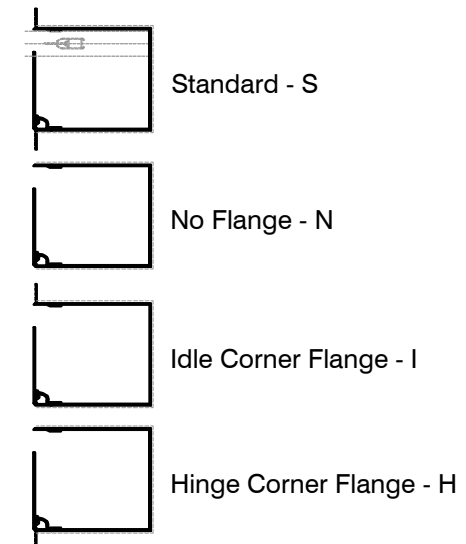


1:20 scale

Sample Installation Detail



Skim Coat Flanges Location Options:



Print date	2017-10-19
Print file	blindspace r135x155 shy 110-80 zip 240v 36 hem visible wires v05.dxf
Page size	ISO A3 420x297
Remarks	ZRE