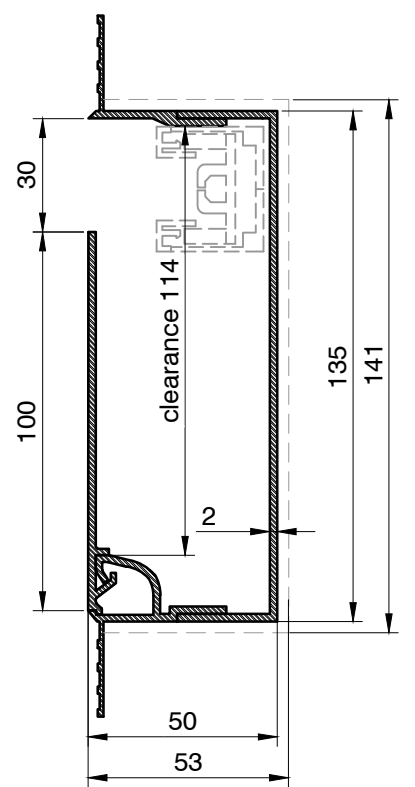
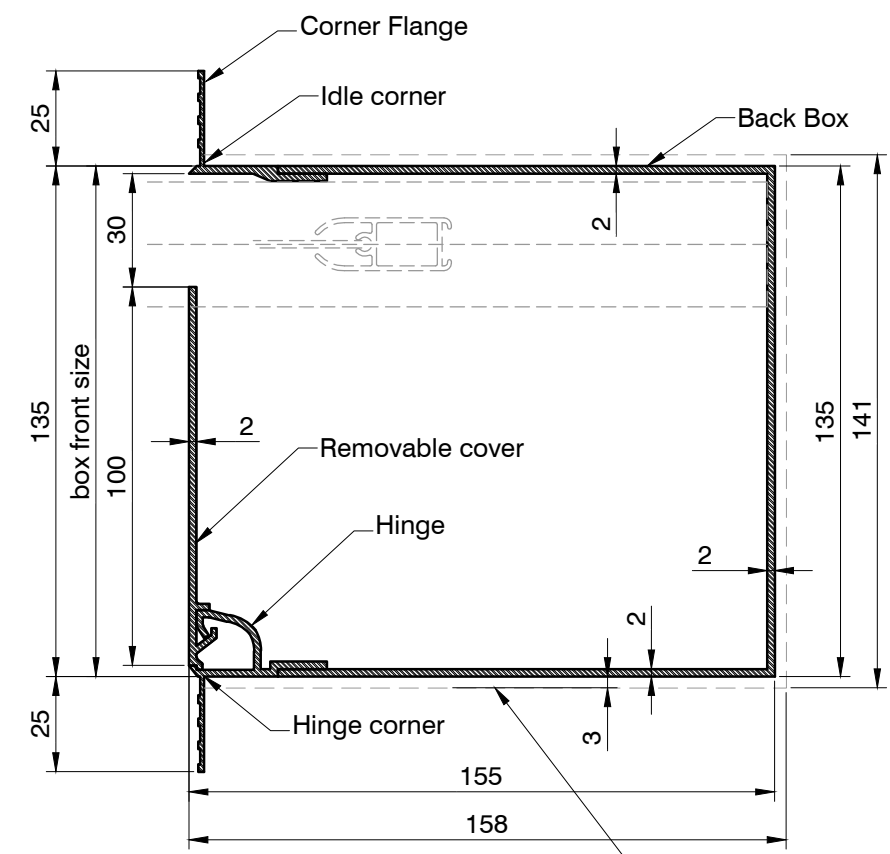


**Head Box
R135x155 S**



**Side Box
R135x50 S**

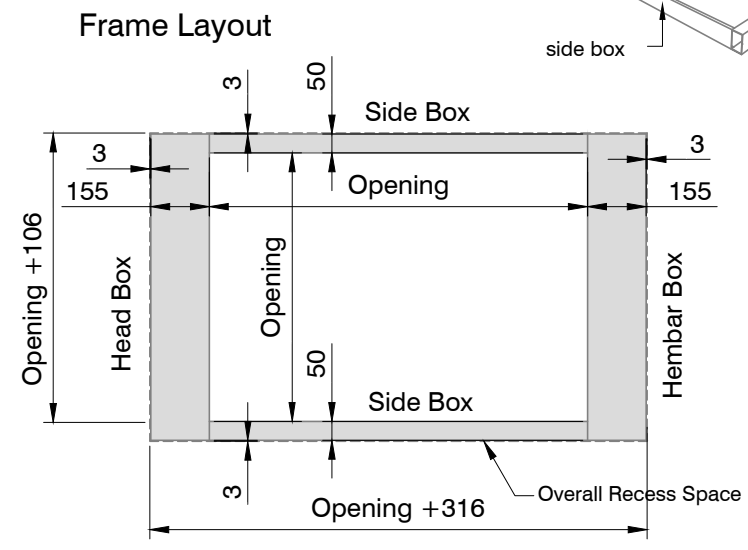
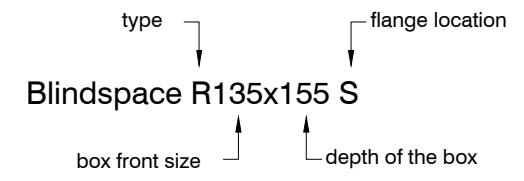
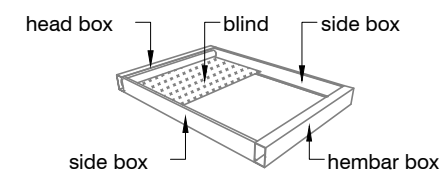
1:2 scale



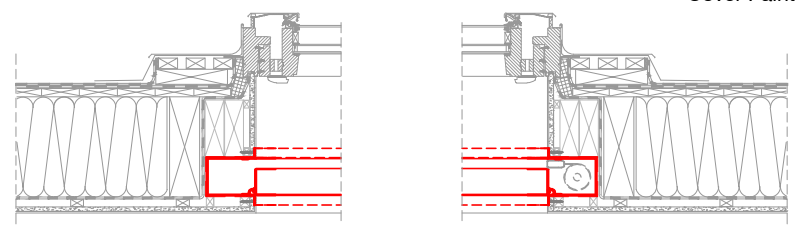
**Hembar Box
R135x155 S**

Overall Recess Space allow 3mm tolerance around for ease of installation

| | |
|--------------|--|
| Product | Blindspace R135x155 |
| Description | Recessed aluminium boxes and covers designed to conceal rooflights blinds. |
| Material | Anodized Aluminium, grade: front plate: EN 6063 T6 back plate: EN AW-1050A H14/H24 |
| Finishes | - Unfinished for site painting - Primed for site painting - Pre-finished to RAL colour |
| Blind sizes | Blind Sizes to fit inside the box: SHY 110/80 ZIP 240v with 36mm hem bar Opening Width max: 1900mm Opening Length max: 3200mm Max area: 6.9m ² |
| Installation | Boxes should be fixed on both sides. The finished plaster level should be flush with chamfered edge. Anchoring countersink screws through skim coat flanges are recommended. |
| Drawing | Standard Blindspace Boxes R135x155 for Rooflight Blinds |
| Item name | R135x155, R135x50 |
| Date | October, 2017 |
| Notes | Dimensions in mm Do not scale from drawing |
| Drawn by | M. Kozak, J. Dobosz |
| Approved | A. Sundelin |
| Revision | R-01 first issue |

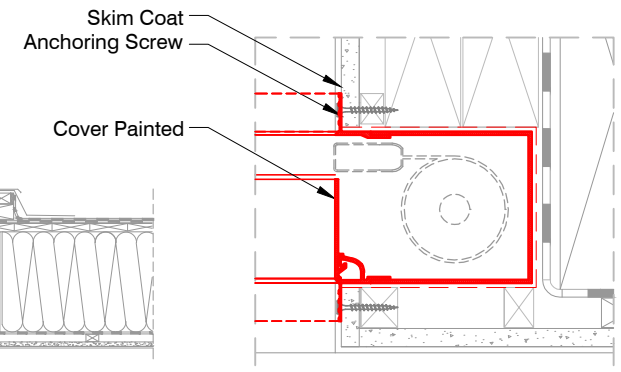


Sample Rooflight Application



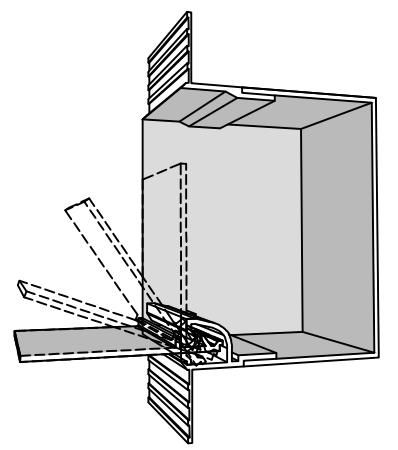
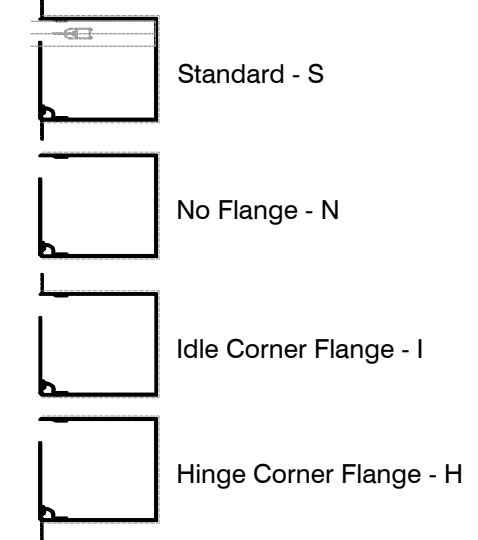
1:20 scale

Sample Installation Detail



1:5 scale

Skim Coat Flanges Location Options:



| | |
|------------|--|
| Print date | 2017-10-19 |
| Print file | blindspace r135x155 shy 110-80 zip 240v 36 hem v05.dxf |
| Page size | ISO A3 420x297 |
| Remarks | ZRE |