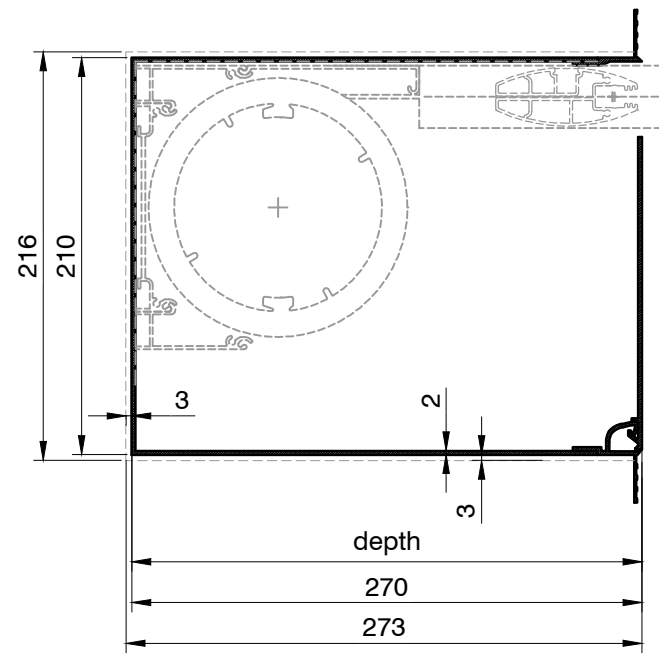
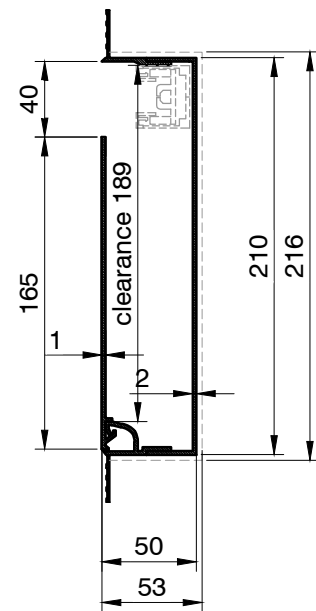


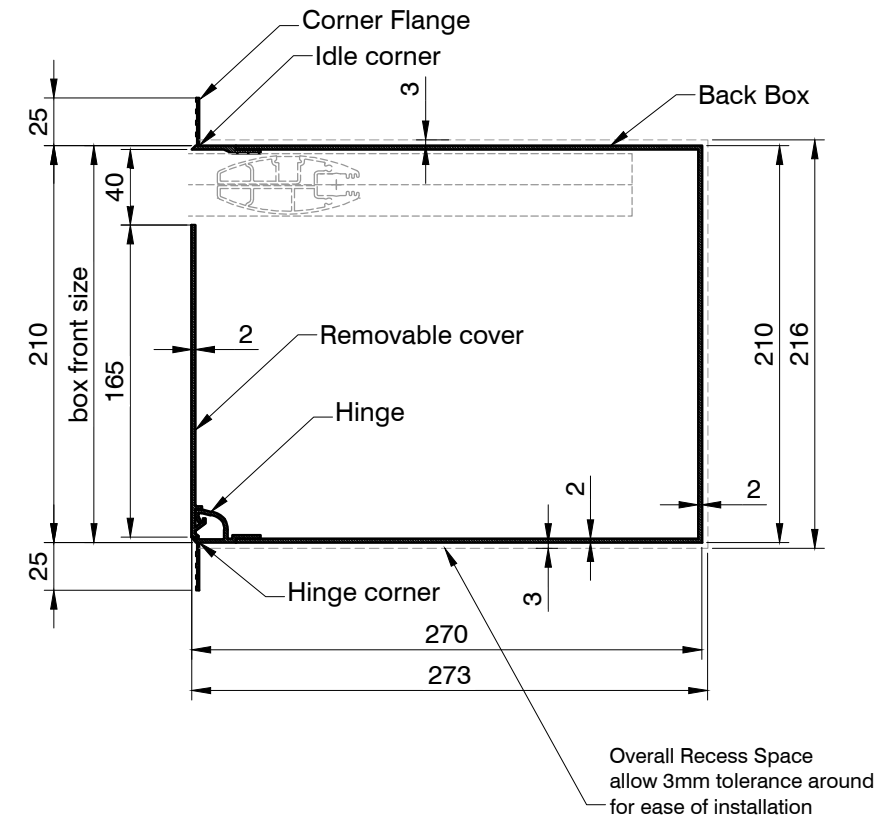
Product	Blindspace R210x270
Description	Recessed aluminium boxes and covers designed to conceal rooflights blinds.
Material	Anodized Aluminium, grade: front plate: EN 6063 T6 back plate: EN AW-1050A H14/H24
Finishes	- Unfinished for site painting - Primed for site painting - Pre-finished to RAL colour
Blind sizes	Blind Sizes to fit inside the box: SHY 200/160 with 75mm hem bar, 4 cables Opening Width max: 6400mm Opening Length max: 19400mm Max area: 45.5m <sup>2</sup>
Installation	Boxes should be fixed on both sides. The finished plaster level should be flush with chamfered edge. Anchoring countersink screws through skim coat flanges are recommended.
Drawing	Standard Blindspace Boxes R210x270 for Rooflight Blinds
Item name	R210x270, R210x50
Date	November, 2017
Notes	Dimensions in mm Do not scale from drawing
Drawn by	M. Kozak, J. Dobosz
Approved	A. Sundelin
Revision	R-01 first issue



Head Box  
R210x270 S



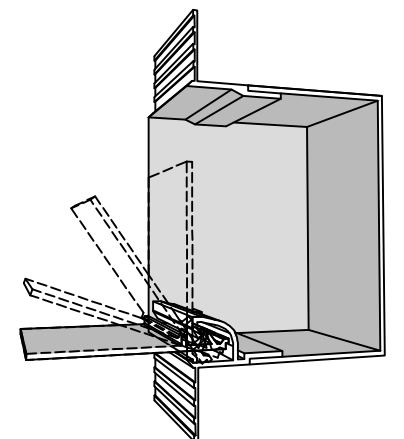
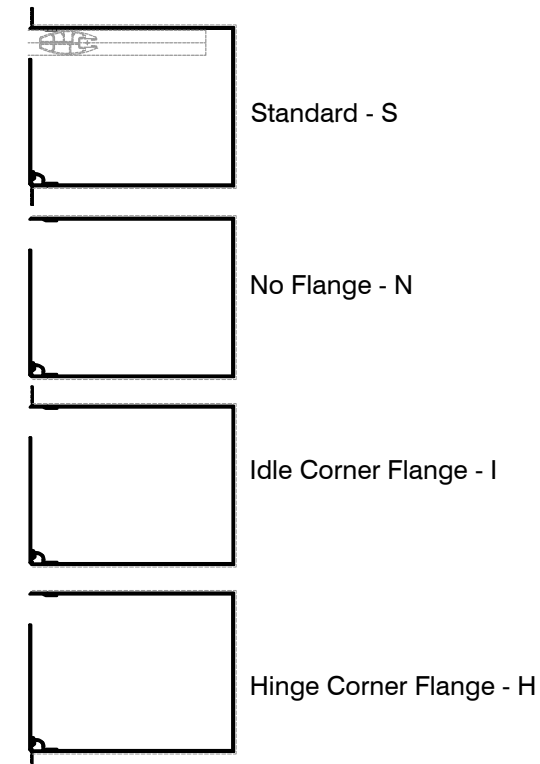
Side Box  
R210x50 S



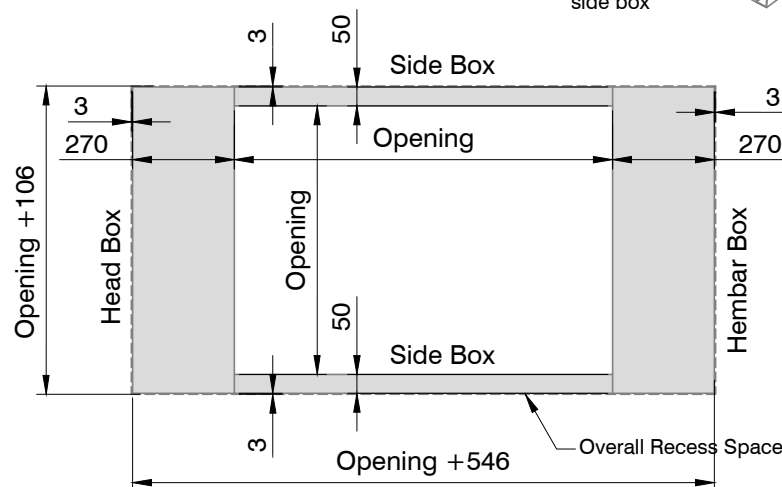
Hembar Box  
R210x270 S

1:4 scale

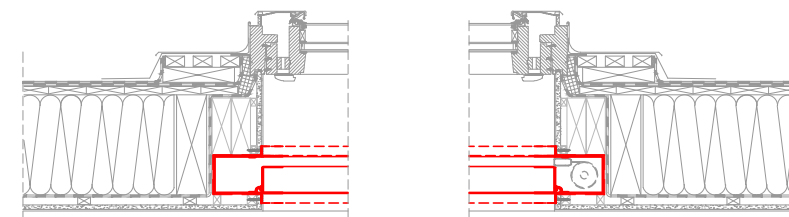
Skim Coat Flanges  
Location Options:



Frame Layout

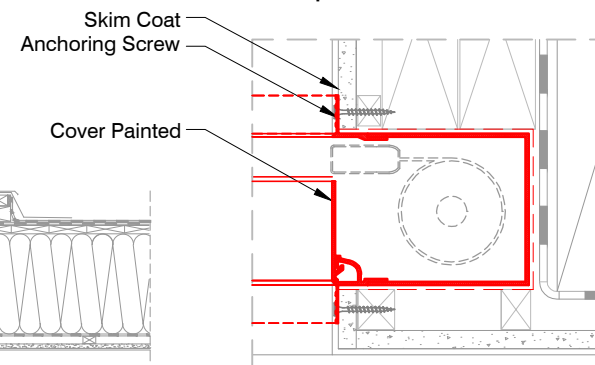


Sample Rooflight Application



1:20 scale

Sample Installation Detail



1:5 scale

Print date	2017-10-20
Print file	blindspace r210x270 shy 200-160 75 hem 4 cables v01.dwg
Page size	ISO A3 420x297
Remarks	ZRE