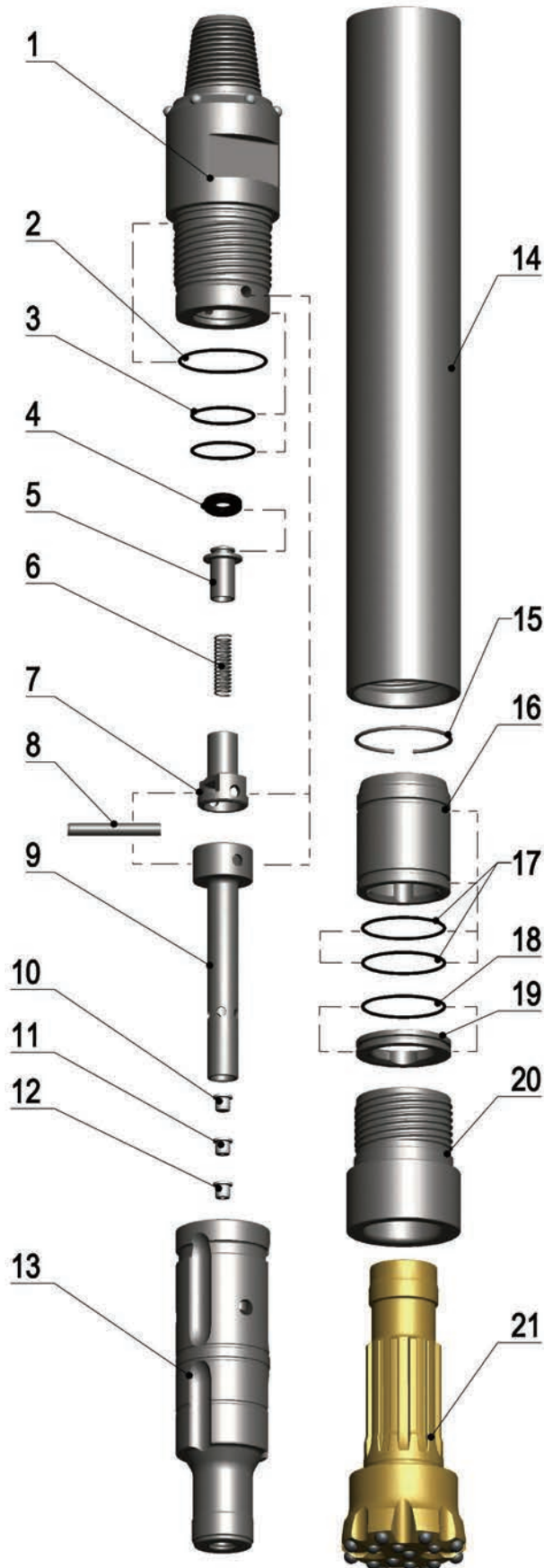


High Air Pressure Without Foot Valve DTH Hammers



WQ65BK DTH HAMMER		
Item	Item Description	Part No.
1	Top Sub	WQ65BK0101
2	O-Ring	WQ65BK0201
3	O-Ring	WQ65BK0901
4	Quad-Ring	WQ65BK0401
5	Check Valve	WQ65BK0501
6	Spring	WQ65BK0701
7	Check Valve Holder	WQ65BK0601
8	Dowel Pin	WQ65BK0801
9	Central Control Tube	WQ65BK1001
10	Air Plug Without Hole	WQ65BK1201
11	Air Plug With $\phi 4$ Hole	WQ65BK1201
12	Air Plug With $\phi 6$ Hole	WQ65BK1201
13	Piston	WQ65BK1401
14	Piston Case	WQ65BK0301
15	Snap Ring	WQ65BK1501
16	Guide Sleeve	WQ65BK1701
17	O-Ring	WQ65BK1801
18	O-Ring	WQ65BK1801
19	Bit Retaining Ring	WQ65BK1901
20	Chuck	WQ65BK2001
21	Bit	