

Schematic & Components

Completed Frame

" h x " w

Components List:

" x pcs.

" x pcs.

A. Straight Connectors x pcs.

B. Corner Connectors x pcs.

C. Corner Brace x pcs.

D. Torx 30 Key x 1 pcs.

E. Allen Key x 1 pcs.

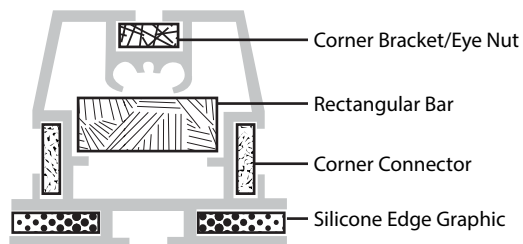
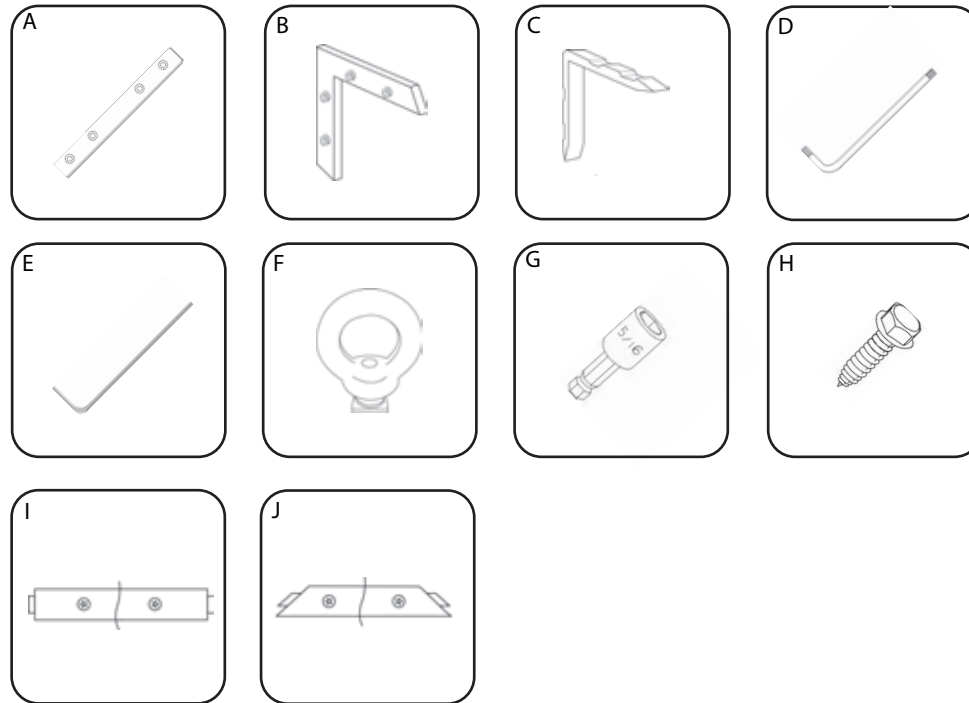
F. Eye Bolt x pcs.

G. Hex 5/16" Driver x 1 pcs.

H. Tek Screws x pcs.

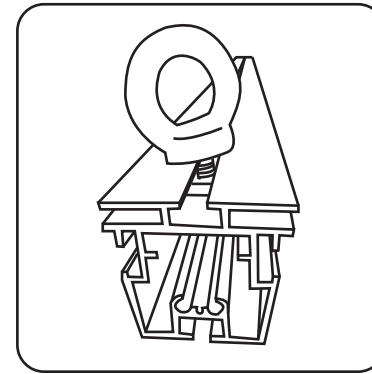
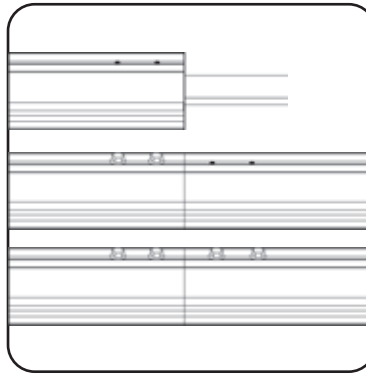
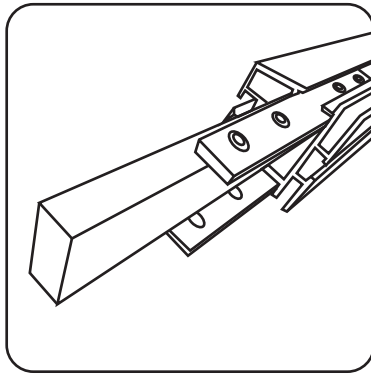
I. Vertical Support x pcs.

J. Diagonal Support x pcs.



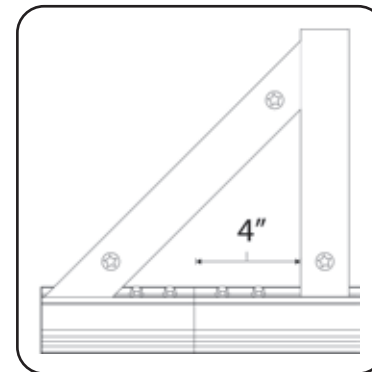
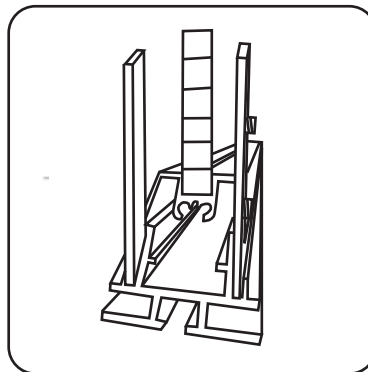
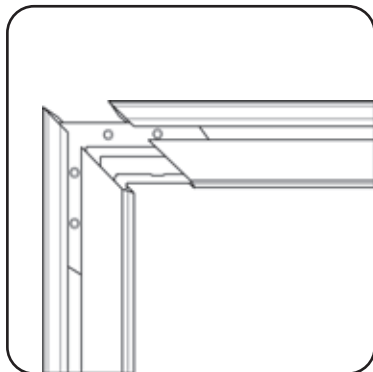
Straight Connectors

Use the schematic as a guide, lay the frame pieces on the ground matching the letters. Use two straight connectors and 4 tek screws per junction, tighten with allen key. Slide the Eye Bolts into the top part of the frame's middle channel at this point.



Corner Connectors & Internal Supports

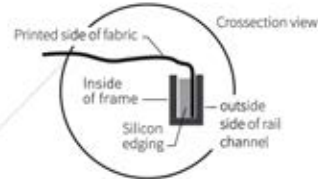
Once the straight junctions are assembled and tightened, use two corner connectors and one corner brace per corner tightening with an allen key on both sides. Refer to schematic for best positioning of internal support bars, tightening with a torx key.



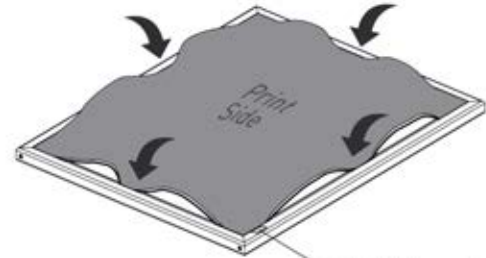
1 From front side of frame, insert fabric graphic into all 4 corners first, in diagonal order.



TIP Be sure printed side is facing out and the silicon edge is oriented as shown here.

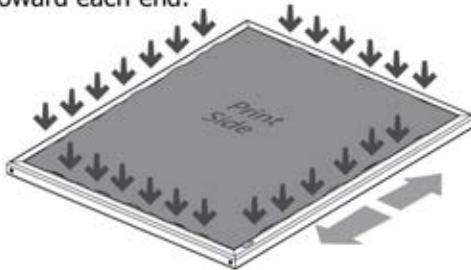


2 Insert fabric edge only at the center of each channel, pushing directly downward.



Pull-tab for removing fabric graphic, is sewn into edge and can also be tucked away.

3 Use downward pressure to insert the remaining edge, working out from the center toward each end.



4 Complete.

