

# VARIETY

---

## BEAUTY COMES IN ALL SHAPES AND SIZES

It's one thing to be simply beautiful. It's another to have beauty and breadth. The Reveal® series includes refrigerated and non-refrigerated models in service, self-service, and combination styles. Select from over 20 different models to create the ideal fresh food display.

- All models are 33"D to fit through standard doors
- Mix and match models for a customized presentation of food



### SERVICE

- Box-within-a-box all glass design
- Slide-in or freestanding models
- Narrow depth to fit through doors
- Four heights available
- 3' & 4' Nominal lengths



### SELF-SERVICE

- Reach-in open front with glass ends
- Slide-in or freestanding models
- Narrow depth to fit through doors
- Four heights available
- 3' & 4' Nominal lengths



### COMBINATION

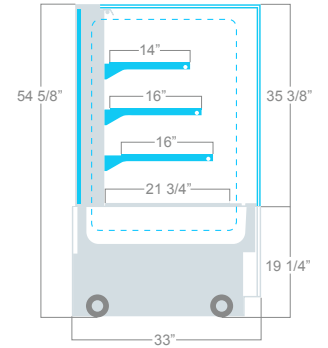
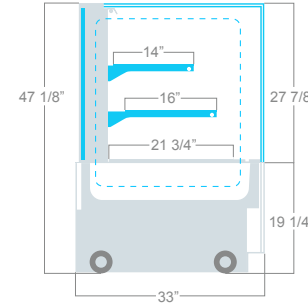
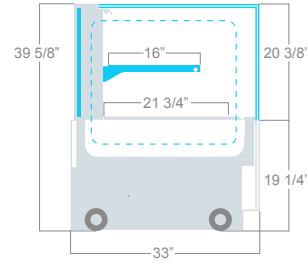
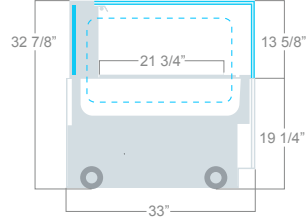
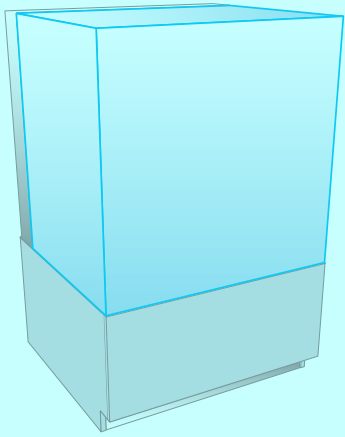
- Convertible service above refrigerated self-service
- Freestanding models
- Narrow depth to fit through doors
- Two heights available
- 3' & 4' Nominal lengths

# REVEAL®

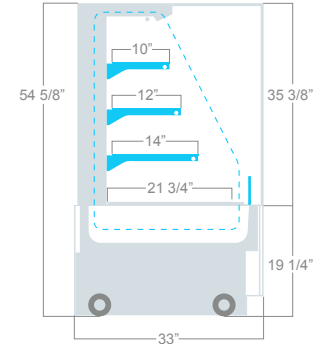
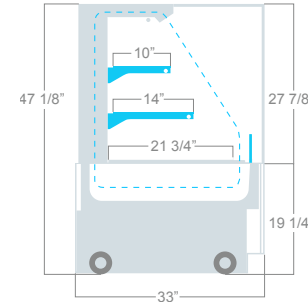
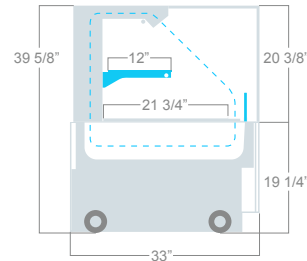
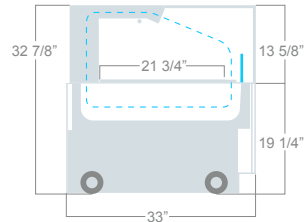
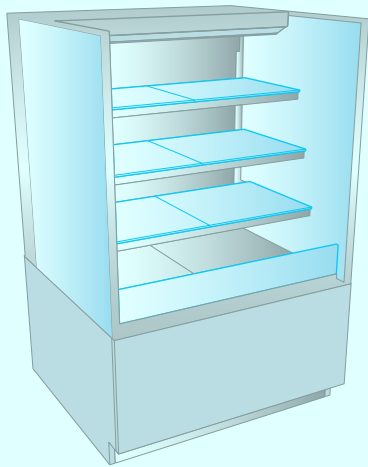
---

By Structural Concepts

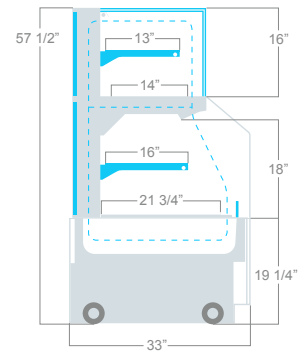
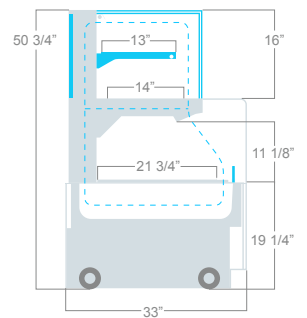
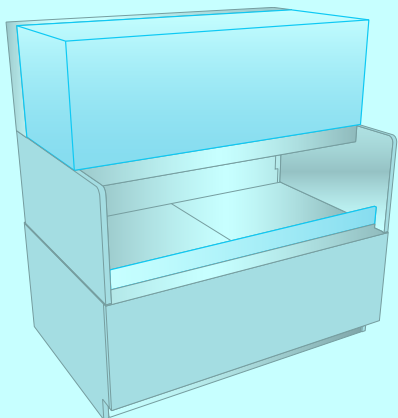
[seereveal.com](http://seereveal.com)



SERVICE



SELF-SERVICE



COMBINATION

REVEAL<sup>®</sup>

By Structural Concepts

[seereveal.com](http://seereveal.com)

# FLEXIBILITY

## ADAPT TO ANY ENVIRONMENT, ENHANCE ANY IDEA

There are many ways to integrate displays into your foodservice operation to bring fresh food solutions to customers. With Reveal® models, displays can be built into counters, walls, or other millwork pieces to blend with and complement the interior design. They can also be used as freestanding displays to accent any décor. This flexibility offers limitless possibilities for customization without a custom price tag, unlocking the unlimited potential of Reveal®.

- NR models include finished exterior panels (lamininate or other finishes)
- NE models include unfinished frame below counter

# REVEAL®

By Structural Concepts

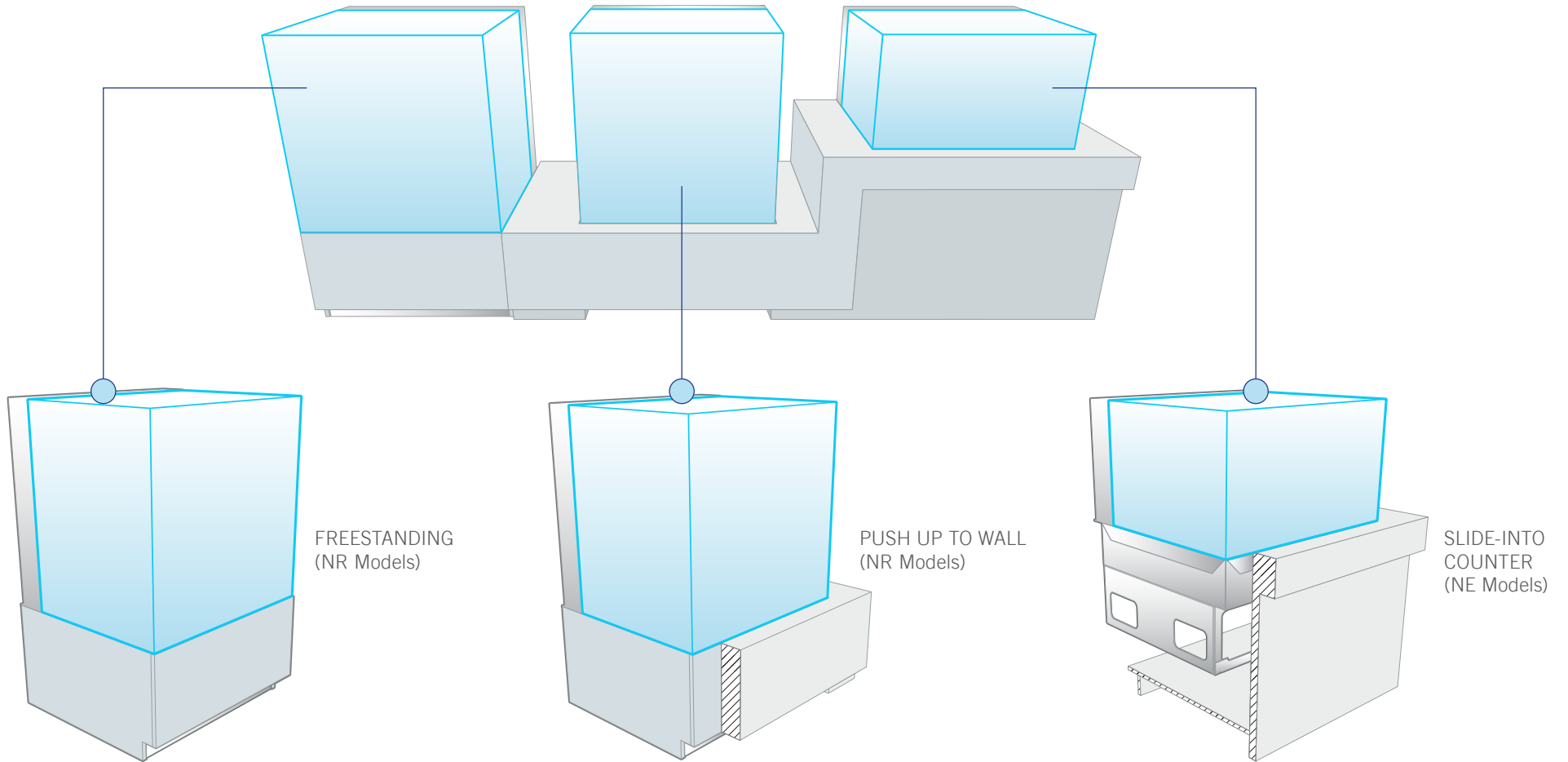
[seereveal.com](http://seereveal.com)



NR Service model shown pushed up to a knee wall.



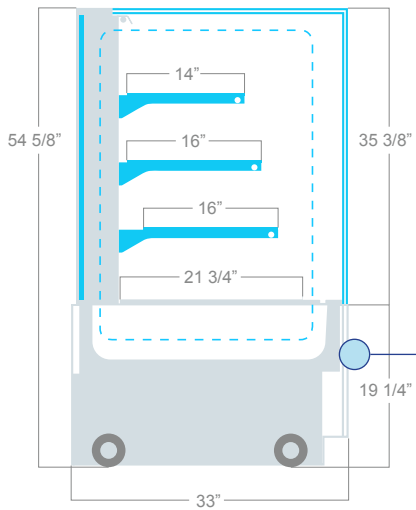
NE Service in-counter models shown with NR Combination model.



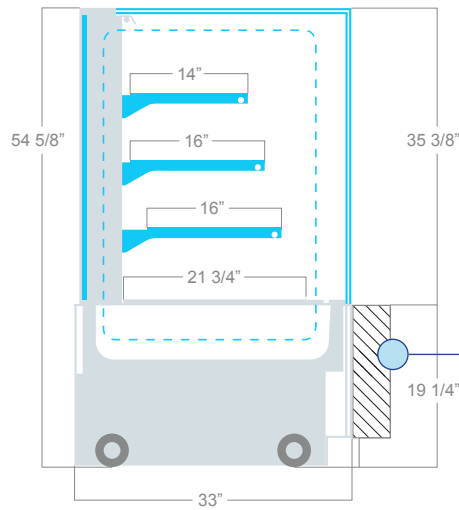
FREESTANDING  
(NR Models)

PUSH UP TO WALL  
(NR Models)

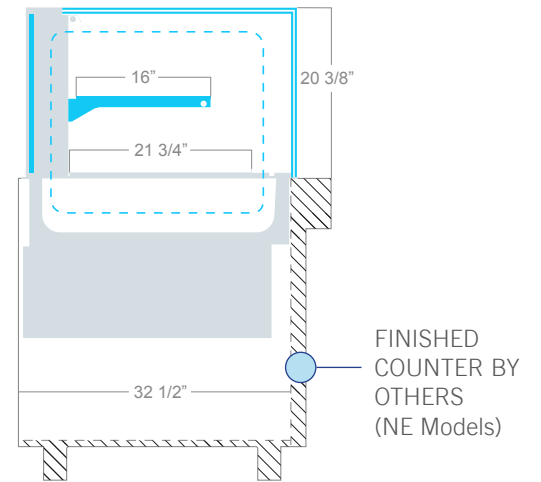
SLIDE-INTO  
COUNTER  
(NE Models)



FINISHED  
PANEL ON  
DISPLAY CASE  
(NR Models)



FINISHED  
MILLWORK WALL  
BY OTHERS  
(NR Models)



FINISHED  
COUNTER BY  
OTHERS  
(NE Models)

# PRECISION

---

## A PERFECT PAIRING OF ART AND SCIENCE

The completely frameless glass display of Reveal® exemplifies our advanced engineering in glass technology. The UV-bonded double pane design ensures safe food temperatures and a condensation-free display. We've perfected the process.



UV-bonded glass assemblies require strict quality controls, assembly procedures, and handling. Special handling equipment is used to move the glass assemblies to the production line, taking care to protect the glass at every turn.

We bond every day. The formula: clean glass, two perfect seals, and argon gas. It sounds simple, but it's a science that takes precise workmanship. The space between the glass boxes creates the insulation necessary to achieve safe temperatures and prevent condensation.



Once assembled on the equipment, the UV-bonded glass assembly is tested. Argon levels are measured, and specialized equipment is used to test for moisture between the glass panes. Every Reveal® unit we produce exceeds meticulous quality standards.

# REVEAL®

---

By Structural Concepts

[seereveal.com](http://seereveal.com)

# PERFORMANCE

## EASY, EFFICIENT, AND ENERGY CONSCIOUS

Real world conditions require perfect performance, which is what the Reveal® glass design and refrigeration system deliver. With Breeze-E self-contained refrigeration, you'll experience dynamic performance and efficiency unmatched by others.

- EnergyWise system reduces daily energy consumption by more than 50%.
- NSF Type II refrigeration ensures reliable performance in higher ambient environments – operating in 80°F and 60% humidity.



### SLIDE-OUT REFRIGERATION

Flexible synthetic hosing instead of copper tubing allows the refrigeration system to slide out repeatedly without risk of refrigerant leaks. All refrigeration components can be easily reached for cleaning or adjustment, with no tools needed. This unique and valuable feature is only available on our models.

### MICROPROCESSOR CONTROLLER

The electronic controller recognizes ambient conditions and adjusts the defrost cycles automatically. This feature eliminates the ice buildup and fluctuating conditions associated with mechanical time clocks, resulting in consistent temperatures – the key to product shelf-life and profits.

### HOT GAS CONDENSATION PAN

Rather than using an electric pan and heating element, hot gas from the compressor runs through tubes to burn off defrost water, which reduces total daily energy consumption by more than 25%. Add a high-efficiency compressor and rifle tube coils to reduce energy consumption even further, more than 50%.

# REVEAL®

By Structural Concepts

[seereveal.com](http://seereveal.com)

# DETAILS

## IMPORTANT DETAILS AND PLANNING RESOURCES REVEALED

From design to installation, we've paid attention to the details that matter. As you integrate Reveal® models, turn to helpful planning tools like the design guide and specification sheets. These documents share the finer details that need to be considered for an outstanding execution of beauty and performance. Be sure to review the shipping and warranty guidelines of Reveal®. Special consideration has been given to procedures that ensure safe delivery of these models.



### WARRANTY

Our standard warranty covers one year of parts and labor, as well as five years of motor compressor support, and applies to all Reveal® models. Reveal® glass is covered to the first point of delivery. ShockWatch indicators are applied to crates, and all shipments should be inspected upon delivery.

### SHIPPING

Reveal® models are shipped FOB Destination, prepaid, and add. This means that we select the carrier and accept full responsibility for the shipment until the first point of delivery, from our dock to yours. No lift gate or inside delivery. We will handle freight claims, and freight charges will be added to your invoice for our equipment.

### PLANNING RESOURCES

- The Design Guide addresses critical dimensions and important requirements that should be addressed early in the design process to ensure a surprise-free installation.
- Reveal® Specification Sheets provide important standard and option information specific to each model offered.

# REVEAL®

By Structural Concepts

seereveal.com

# DURABILITY

## RIGOROUSLY TESTED FOR YOUR PEACE OF MIND

Reveal® models may look delicate, but they are tough. We put Reveal® through various impact and shipping tests, and the UV-bonded glass design passed with flying colors. You can rest assured that the simple beauty of Reveal® will hold up to even the most rocky shipping and handling.

# REVEAL®

By Structural Concepts

seereveal.com

## IMPACT TESTS

- 12" Drop tested
- 20G Force impact
- No rubber cushion failure
- No glass breakage

## SHIPPING TESTS

- Traveled 4,036 miles via common carrier
- Transferred through 10 terminals
- No glass breakage or rupture of glass bonds
- ShockWatch did not record  $\geq 15G$  force

## PACKAGING & HANDLING

- Reinforced skids
- Rubber shock absorbers
- ShockWatch applied to equipment. Label turns red if equipment experiences  $\geq 15G$  force of impact, indicating need for visual inspection of glass.
- Fully crated. Wood screws used instead of nails for easy and safe removal. No need for pry bar or other tools that may impact the glass.
- Caution tags placed on all four sides warning against pushing or pulling on upper glass while removing from skid or positioning unit into place.

## INSTALLATION EASE

- NR models ship with panels off. Front panel and side cladding easily attach in place via magnets.
- Side handles provided to position unit, remove and discard once in place.
- Leveling casters allow unit to easily move into position, quickly level and lock into place.

